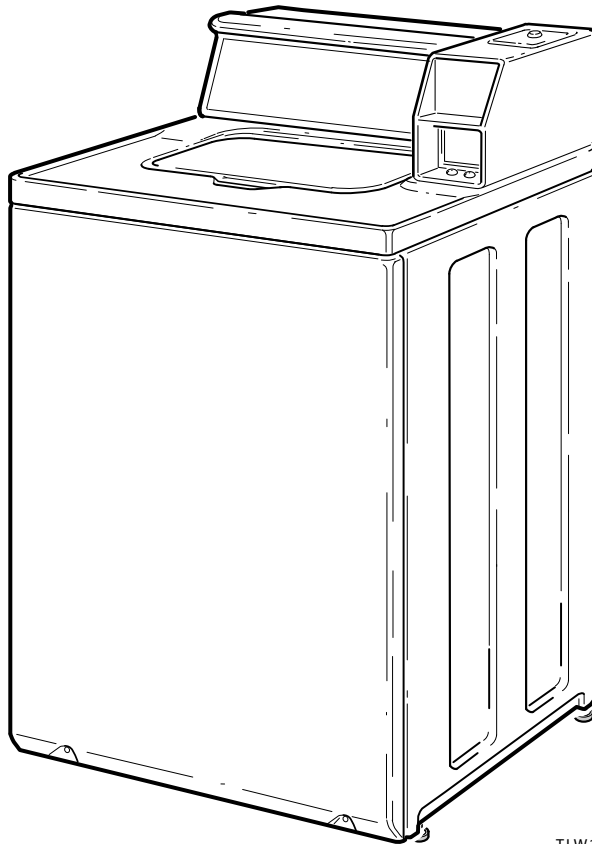


# Commercial Topload Washers

Metered and Nonmetered  
Refer to Page 3 for Model Numbers



TLW13C\_202731



# Table of Contents

Title	Page
Parts Ordering Information.....	2
Serial Plate Location .....	2
Model Identification .....	3
Coin Slide Extension, Meter Case and Control.....	4
Non-Electronic Coin Drop and Meter Case.....	6
Electronic Coin Drop .....	8
Control Panel, Control Hood and Controls (Drawing 1 of 11) .....	10
Control Panel, Control Hood and Controls (Drawing 2 of 11) .....	12
Control Panel, Control Hood and Controls (Drawing 3 of 11) .....	14
Control Panel, Control Hood and Controls (Drawing 4 of 11) .....	16
Control Panel, Control Hood and Controls (Drawing 5 of 11) .....	18
Control Panel, Control Hood and Controls (Drawing 6 of 11) .....	20
Control Panel, Control Hood and Controls (Drawing 7 of 11) .....	22
Control Panel, Control Hood and Controls (Drawing 8 of 11) .....	24
Control Panel, Control Hood and Controls (Drawing 9 of 11) .....	26
Control Panel, Control Hood and Controls (Drawing 10 of 11) .....	28
Control Panel, Control Hood and Controls (Drawing 11 of 11) .....	30
Control Hood Security Kit.....	32
Lid .....	34
Cabinet Top .....	36
Lid, Lid Lock and Cabinet Top .....	38
Lid Switch.....	40
Fill Hose, Mixing Valve-to-Tub Cover Hose and Mixing Valve.....	42
Motor, Belt, Pump and Idler Assembly (Drawing 1 of 4) .....	44
Motor, Belt, Pump and Idler Assembly (Drawing 2 of 4) .....	46
Motor, Belt, Pump and Idler Assembly (Drawing 3 of 4) .....	48
Motor, Belt, Pump and Idler Assembly (Drawing 4 of 4) .....	50
Agitator, Drive Bell, Hub and Lip Seal Kit and Washtub .....	52
Outer Tub, Cover, Bearing and Seal Housing, Pressure Hose and Counterweight.....	54
Transmission Assembly .....	56
Drain Hoses and Siphon Break Kit .....	58
Weldment and Bearing Assembly, Brake and Pulley.....	60
Front Panel, Base Assembly and Cabinet Kit.....	62
Mixing Valve and Motor Disconnect Blocks, Terminals and Terminal Extractor Tool.....	64
Lead-In Cord .....	66
Terminals .....	68
Shipping Materials and Special Tools .....	70
Special Tools .....	72
Wire Harnesses and Wires (Drawing 1 of 2).....	74
Wire Harnesses and Wires (Drawing 2 of 2).....	76
Parts Index.....	79

© Copyright 2014, Alliance Laundry Systems LLC

All rights reserved. No part of the contents of this book may be reproduced or transmitted in any form or by any means without the expressed written consent of the publisher.

## Parts Ordering Information

If literature or replacement parts are required, contact the source from whom the machine was purchased or contact Alliance Laundry Systems at (920) 748-3950 for the name and address of the nearest authorized parts distributor.

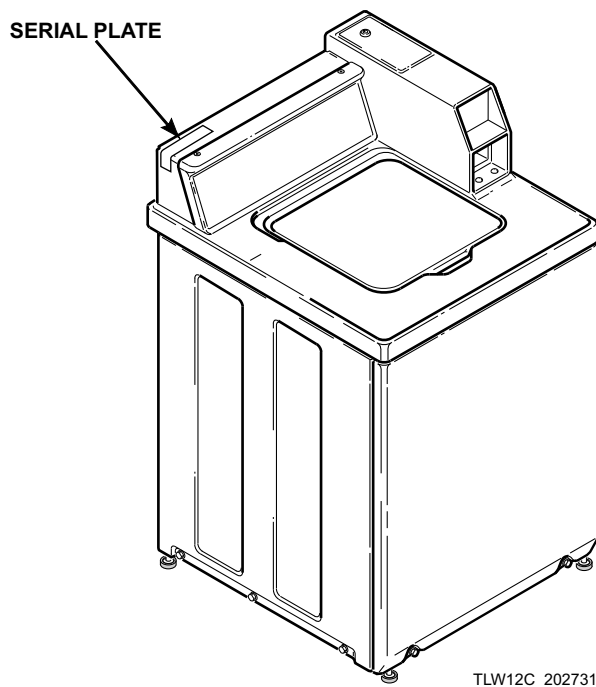
For technical assistance, call either of the numbers listed below:

(920) 748-3121 Ripon, Wisconsin

+32 56 41 20 54 Wevelgem, Belgium

## Serial Plate Location

When calling or writing about your product, be sure to mention model and serial numbers. Model and serial numbers are located on serial plate(s) as shown.



TLW12C\_202731

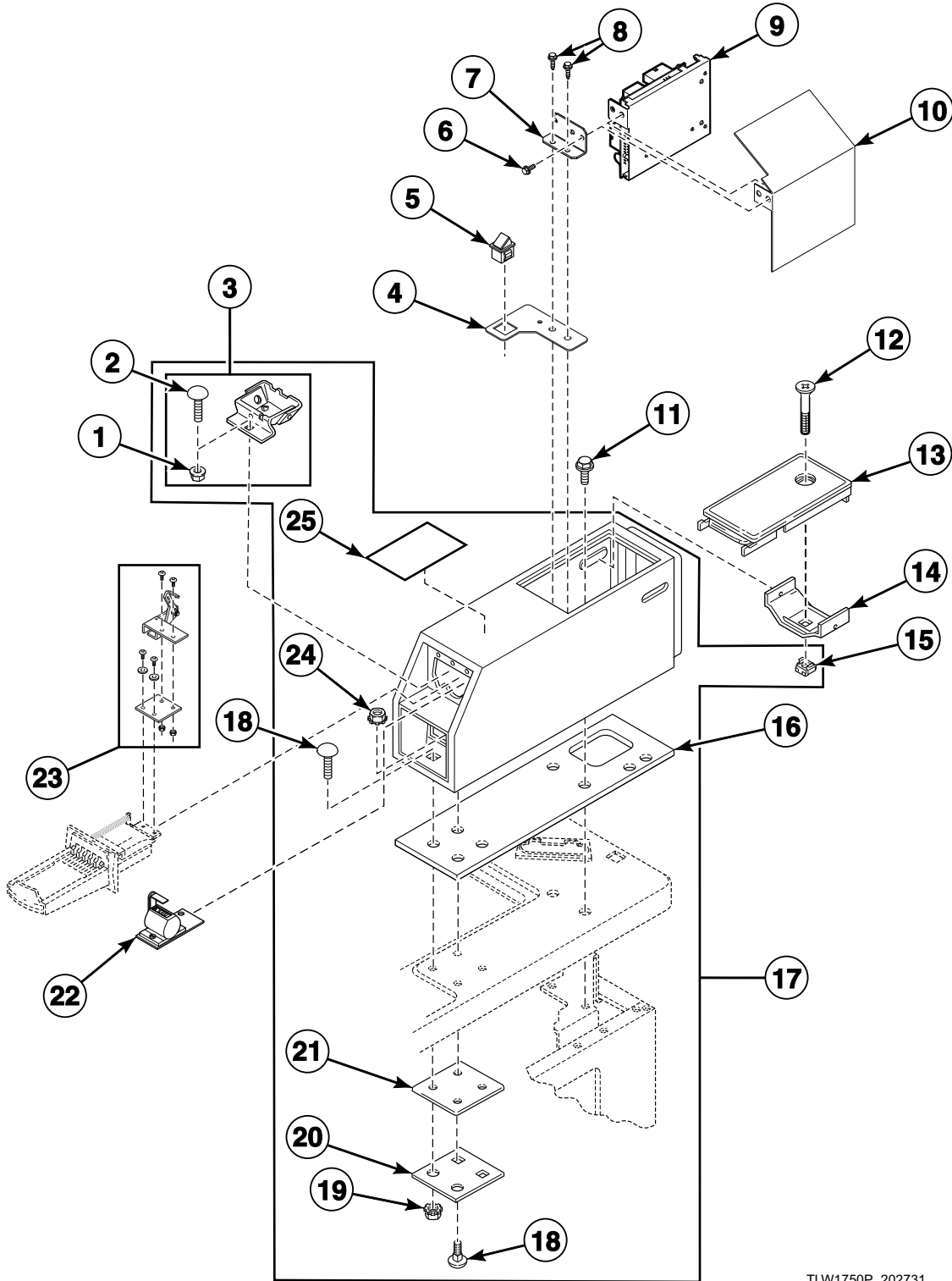
## Model Identification

Information in this manual is applicable to these washer models:

BWNBC2PP112TW01	NWNBX2SP302NW22	SWNLY2AP112TW01
BWNBX2PP112TW01	NWNMN1SP542NW22	SWNLY2HP112TW01
BWNBX2PP302AW01	NWNMN2SP302NW22	SWNLY2PP112TW01
BWNBX2PP112TW01	NWNSX2SP302NW22	SWNLY2SP112TW01
BWNMN2PP112CW01	SWNBC2PP112TQ01	SWNLY2SP302NW22
BWNMN2PP302AW01	SWNBC2PP112TW01	SWNLMN1SP302AW01
BWNSX2PP112CW01	SWNBC2PP112TW02	SWNLMN1SP302NW22
GWNMN1PP302AW01	SWNBC2SP112TQ01	SWNLMN1SP302SW01
GWNMN2PP302AW01	SWNBC2SP112TW01	SWNLMN2PP112TW01
GWNMN2PP112TW01	SWNBX1SP122DW01	SWNLMN2SP112TW01
GWNSX1PP302AW01	SWNBX1SP542DW01	SWNLMN2SP112TW08
GWNSX1PP302EW09	SWNBX2PP112TW02	SWNSX1PP112TQ01
GWNSX2PP112TW01	SWNBX2SP082JW01	SWNSX1PP112TW01
GWNSX2PP302AW01	SWNBX2SP112FW27	SWNSX1PP302AW01
HWNBC2PP112TQ01	SWNBX2SP112TQ01	SWNSX1SP112TQ01
HWNBC2PP112TW01	SWNBX2SP112TW01	SWNSX1SP112TW01
HWNBBD2SP112CQ01	SWNBX2SP302AW01	SWNSX1SP302AW01
HWNBBD2SP112CW01	SWNBX2SP302NQ22	SWNSX1SP302BW01
HWNBBD2SP112CW01	SWNBX2SP302NW22	SWNSX1SP302EW09
HWNBX1SP122DW01	SWNBX2SP112TW01	SWNSX1SP302NW22
HWNBX1SP542DW01	SWNBX2SP112TW01	SWNSX1SP302SW01
HWNBX2SP112CW01	SWNLC2AP112TW01	SWNSX1SP302UW01
HWNBX2SP112FW28	SWNLC2AP112TW02	SWNSX1SP542NW22
HWNBX2SP112TW01	SWNLC2HP112TW01	SWNSX2PP112TQ01
HWNBX2SP112CW01	SWNLC2HP112TW02	SWNSX2PP112TW01
HWNBX2SP112CW01	SWNLC2PP112TW01	SWNSX2PP112TW02
HWNBX2SP112CW01	SWNLC2PP112TW02	SWNSX2SP112TQ01
HWNBX2SP112CW01	SWNLC2SP112TQ01	SWNSX2SP112TW01
HWNLX1SP122DW01	SWNLC2SP112TW01	UWNLMN2SP112CW01
HWNLX1SP542DW01	SWNLC2SP112TW02	
HWNLX2HP112CW01	SWNLX1SP122DW01	
HWNLX2SP112CW01	SWNLX1SP542DW01	
HWNLX2SP112CW01	SWNLX1SP542NW23	
HWNLX2SP112CW01	SWNLX2AP112TW02	
HWNLX2SP112CW01	SWNLX2HP112TW01	
HWNLX2SP112CW01	SWNLX2HP112TW02	
HWNLX2SP112CW01	SWNLX2PP112TW02	
HWNLX2SP112CW01	SWNLX2SP112TW01	
HWNLX2SP112CW01	SWNLX2SP112TW02	
HWNLX2SP112CW01	SWNLX2SP302AW01	

# Coin Slide Extension, Meter Case and Control

Models BWNSX2PP112CW01, GWNSX1PP302AW01, GWNSX1PP302EW09, GWNSX2PP112TW01, GWNSX2PP302AW01, HWNSX1PP112TQ01, HWNSX1PP112TW01, HWNSX1SP112CW01, HWNSX1SP302UW09, HWNSX2PP112TQ01, HWNSX2PP112TW01, HWNSX2SP112CW01, NWNX2SP302NW22, SWNSX1PP112TQ01, SWNSX1PP112TW01, SWNSX1PP302AW01, SWNSX1SP112TQ01, SWNSX1SP112TW01, SWNSX1SP302AW01, SWNSX1SP302BW01, SWNSX1SP302EW09, SWNSX1SP302NW22, SWNSX1SP302SW01, SWNSX1SP302UW01, SWNSX1SP542NW22, SWNSX2PP112TQ01, SWNSX2PP112TW01, SWNSX2PP112TW02, SWNSX2SP112TQ01 and SWNSX2SP112TW01



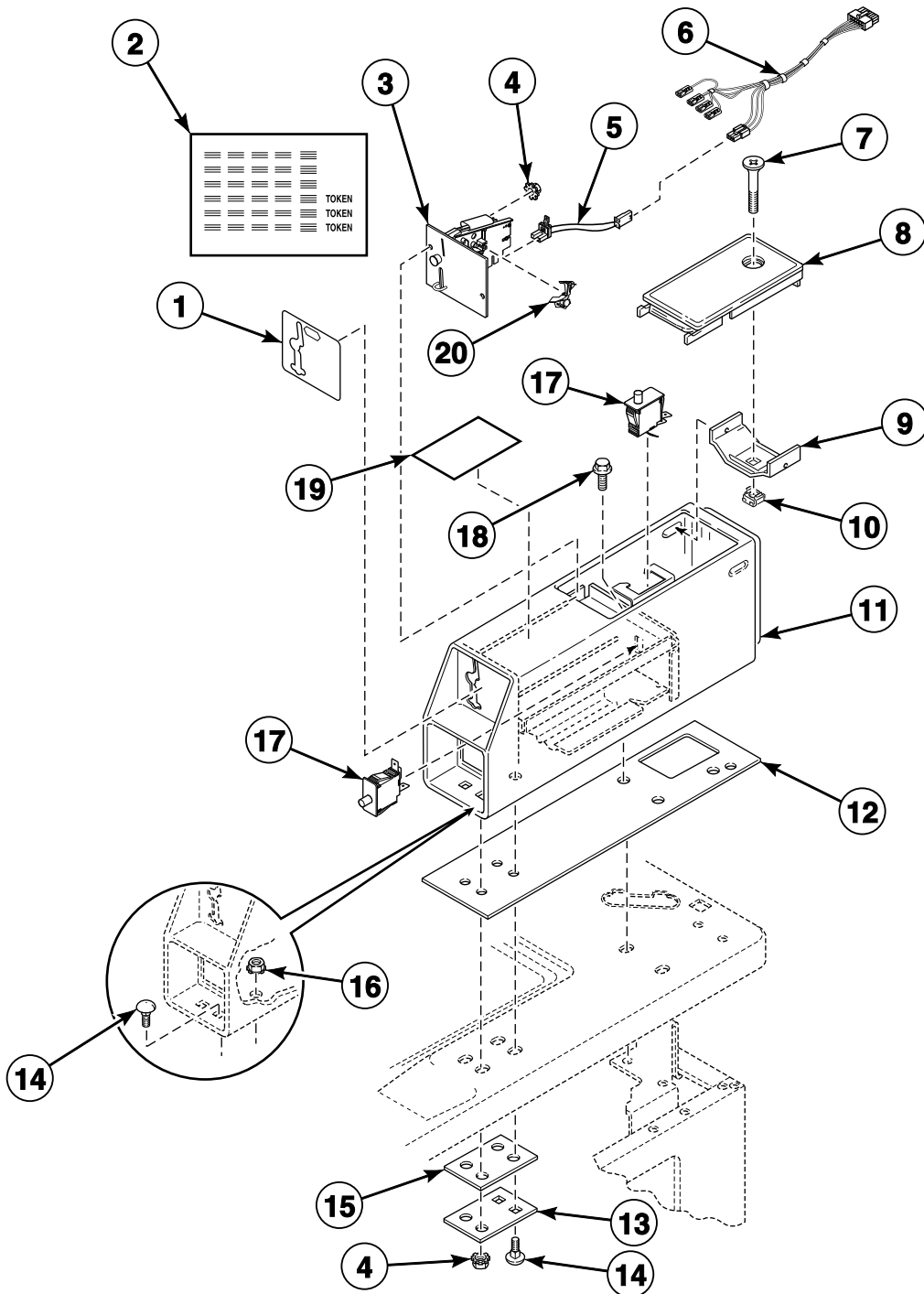
TLW1750P\_202731

## Coin Slide Extension, Meter Case and Control

REF	PART NO.	DESCRIPTION	COMMENTS
1	29796	Nut	
2	29651	Bolt	
3	523P3	Coin Funnel Kit	
4	803662	Bracket	
5	431159	Switch	
6	501524	Screw	
7	201581	Chassis Mounting Bracket	
8	503688	Screw	
9	202393P	Control Assembly	
10	512304	Control Shield	
11	36048	Screw	
12	503673	Screw	
13	39874QP	Service Door Assembly	Bisque; Models HWNSX1PP112TQ01, HWNSX2PP112TQ01, SWNSX1PP112TQ01, SWNSX1SP112TQ01, SWNSX2PP112TQ01 and SWNSX2SP112TQ01
	39874WP	Service Door Assembly	White; All other models
14	30642	Meter Case Locking Bracket	
15	30647	Nut	
16	26354	Meter Case Gasket	
17	803575WP	Meter Case Assembly Kit	Model SWNSX2PP112TW02
	803578P	Coin Box Extension Kit	Use with 803575W Meter Case Assembly to extend shorter 7-inch coin boxes; Model SWNSX2PP112TW02
	201010QP	Meter Case Kit	Bisque; Includes items 3, 15, 16, 18-21 and 23; Models HWNSX1PP112TQ01, HWNSX2PP112TQ01, SWNSX1PP112TQ01, SWNSX1SP112TQ01, SWNSX2PP112TQ01 and SWNSX2SP112TQ01
	201010WP	Meter Case Kit	White; Includes items 3, 15, 16, 18-21 and 23; All other models
18	02505	Bolt	
19	29786	Nut	
20	35525	Meter Case Lockdown Bracket	
21	35526	Meter Case Bracket Gasket	
22	201280P	Mechanical Counter Kit Assembly	
23	200913	Coin Slide Extension Kit	Includes items 4 and 5
24	802337	Nut	
25	37068	Operation Instruction Label	Models GWNSX1PP302EW09, HWNSX1SP302UW09, SWNSX1SP302EW09 and SWNSX1SP302UW01

# Non-Electronic Coin Drop and Meter Case

Models BWNBX2PP112TW01, BWNBX2PP302AW01, HWNBC2PP112TQ01, HWNBC2PP112TW01, HWNBD2SP112CQ01, HWNBD2SP112CW01, HWNBE2SP112CW01, HWNBX1SP122DW01, HWNBX1SP542DW01, HWNBX2SP112CW01, HWNBX2SP112FW28, HWNLE2AP112CW01, HWNLE2HP112CW01, HWNLE2SP112CW01, HWNLX1SP122DW01, HWNLX1SP542DW01, HWNLX2HP112CW01, HWNLX2SP112CW01, NWNBX2SP302NW22, SWNBC2PP112TQ01, SWNBC2PP112TW01, SWNBC2PP112TW02, SWNBC2SP112TQ01, SWNBC2SP112TW01, SWNBX1SP122DW01, SWNBX1SP542DW01, SWNBX2PP112TW02, SWNBX2SP082JW01, SWNBX2SP112FW27, SWNBX2SP112TQ01, SWNBX2SP112TW01, SWNBX2SP302AW01, SWNBX2SP302NQ22, SWNBX2SP302NW22, SWNLC2AP112TW01, SWNLC2AP112TW02, SWNLC2HP112TW01, SWNLC2HP112TW02, SWNLC2PP112TW01, SWNLC2PP112TW02, SWNLC2SP112TQ01, SWNLC2SP112TW01, SWNLC2SP112TW02, SWNLX1SP122DW01, SWNLX1SP542DW01, SWNLX1SP542NW23, SWNLX2AP112TW02, SWNLX2HP112TW01, SWNLX2HP112TW02, SWNLX2PP112TW02, SWNLX2SP112TW01, SWNLX2SP112TW02 and SWNLX2SP302AW01



TLW1741P\_202731

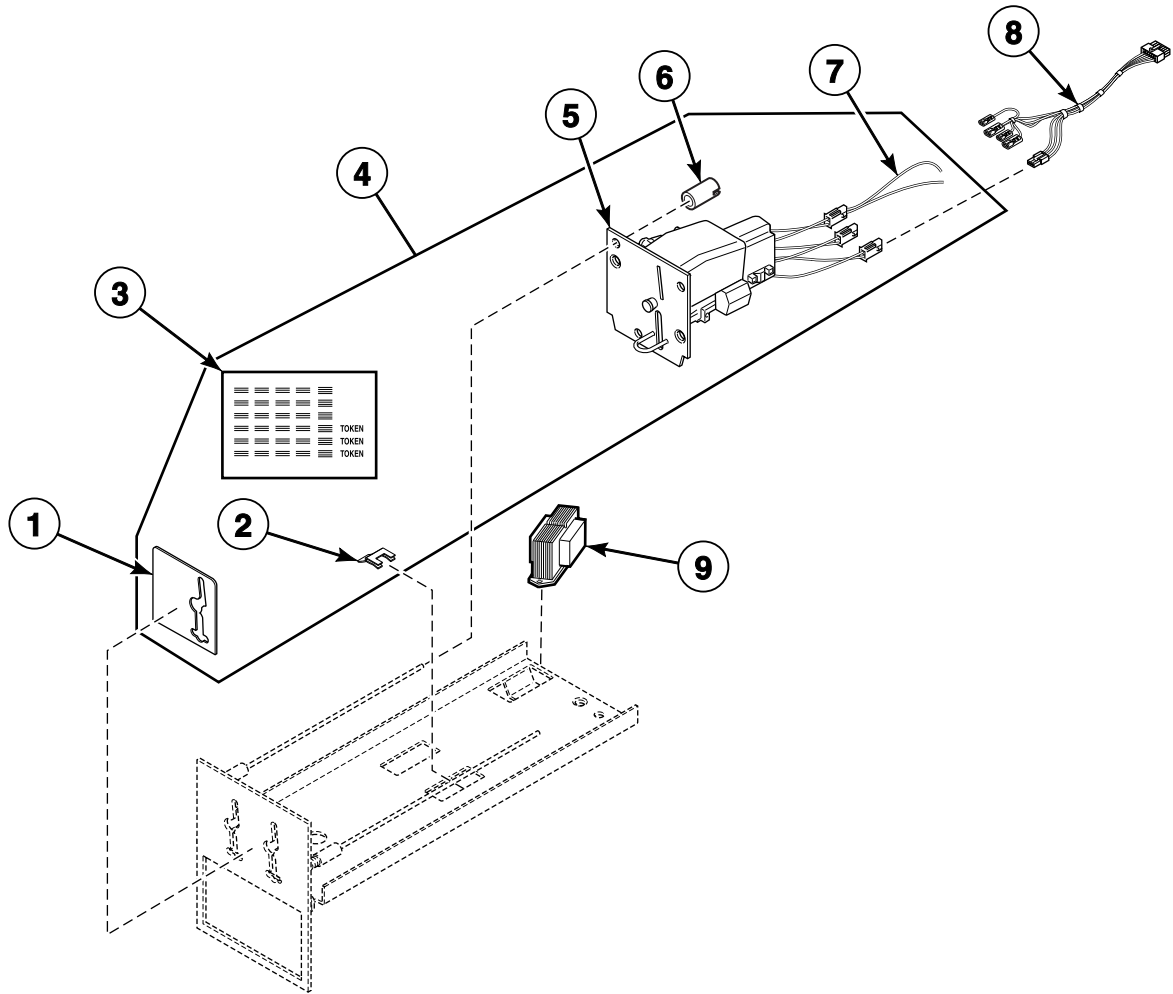


## Non-Electronic Coin Drop and Meter Case

REF	PART NO.	DESCRIPTION	COMMENTS
1	38717	Single Overlay	\$.25
	38676	Overlay Kit	Dual; Includes item 2
	39073	Dual Overlay	\$.25 and \$1.00
2	38725	Coin Identification Paper	
3	70441601P	Coin Drop	Single; U.S.A.; \$.25
	70441603	Coin Drop	Dual; U.S.A.; \$.25 and \$1.00
	38467	Coin Drop Assembly	Dual; Australia; .20 and 1.00
	70447301	Coin Drop Assembly	Dual; Australia; 1.00 and 2.00
	38464P	Coin Drop Assembly	Single; Canada; .25
	70441602	Coin Drop Assembly	Dual; Canada; .25 and 1.00
	38472	Coin Drop Assembly	Dual; England; 20 pence and 1 pound
	38519	Coin Drop Assembly	Dual; Japan; 100 yen and 500 yen
	38521	Coin Drop Assembly	Dual; Korea; 100 won and 500 won
	CK114	Coin Drop Assembly	Single; Singapore; Old 1.00
	CK123	Coin Drop Assembly	Single; Singapore; New 1.00
	70482401	Coin Drop Assembly	Dual; New Zealand ; 1.00 and 2.00
	38462P	Coin Drop Assembly	Single; Token; STD-118-1
	38463	Coin Drop Assembly	Single; Token; STD 118-5
	38963P	Coin Drop	Single; Token 118-16
	4	29786	Nut
5	200674P	Opto Coupler	
6	802904P	Harness Assembly	Models BWNBX2PP112TW01, HWNBC2PP112TQ01, HWNBC2PP112TW01, SWNBC2PP112TQ01, SWNBC2PP112TW01, SWNBC2PP112TW02, SWNBC2SP112TQ01, SWNBC2SP112TW01, SWNLC2AP112TW01, SWNLC2AP112TW02, SWNLC2HP112TW01, SWNLC2HP112TW02, SWNLC2PP112TW01, SWNLC2PP112TW02, SWNLC2SP112TQ01, SWNLC2SP112TW01 and SWNLC2SP112TW02
	802905	Harness Assembly	All other models
7	503673	Screw	
8	39874WP	Service Door Assembly	White
	39874QP	Service Door Assembly	Bisque
9	30642	Meter Case Locking Bracket	
10	30647	Nut	
11	803063WP	Meter Case Assembly Kit	Models SWNBC2PP112TW02, SWNBX2PP112TW02, SWNLC2AP112TW02, SWNLC2HP112TW02, SWNLC2PP112TW02, SWNLC2SP112TW02, SWNLX2AP112TW02, SWNLX2HP112TW02, SWNLX2PP112TW02 and SWNLX2SP112TW02
	803578P	Coin Box Extension Kit	Use with 803063W Meter Case Assembly to extend shorter 7 inch coin boxes; Models SWNBC2PP112TW02, SWNBX2PP112TW02, SWNLC2PP112TW02, SWNLC2SP112TW02, SWNLX2PP112TW02 and SWNLX2SP112TW02
	802505W	Meter Case Assembly	Models HWNBE2SP112CW01, HWNLE2AP112CW01, HWNLE2HP112CW01, HWNLE2SP112CW01, SWNLC2AP112TW02, SWNLC2HP112TW02, SWNLX2AP112TW02 and SWNLX2HP112TW02
	38724W	Meter Case Assembly	White; All other models
	38724Q	Meter Case Assembly	Bisque; All other models
12	26354	Meter Case Gasket	
13	35525	Meter Case Lockdown	
		Bracket	
14	02505	Bolt	
15	35526	Meter Case Bracket Gasket	
16	802337	Nut	
17	512973	Switch	
18	36048	Screw	
19	37068	Operation Instruction Label	Models ending in DW01
20	201595P	Wire Guard	Anti-stringing security device

# Electronic Coin Drop

Models BWNBX2PP112TW01, BWNBX2PP302AW01, HWNBC2PP112TQ01, HWNBC2PP112TW01, HWNBD2SP112CQ01, HWNBD2SP112CW01, HWNBE2SP112CW01, HWNBX1SP122DW01, HWNBX1SP542DW01, HWNBX2SP112CW01, HWNBX2SP112FW28, HWNLE2AP112CW01, HWNLE2HP112CW01, HWNLE2SP112CW01, HWNLX1SP122DW01, HWNLX1SP542DW01, HWNLX2HP112CW01, HWNLX2SP112CW01, NWNBX2SP302NW22, SWNBC2PP112TQ01, SWNBC2PP112TW01, SWNBC2PP112TW02, SWNBC2SP112TQ01, SWNBC2SP112TW01, SWNBX1SP122DW01, SWNBX1SP542DW01, SWNBX2PP112TW02, SWNBX2SP082JW01, SWNBX2SP112FW27, SWNBX2SP112TQ01, SWNBX2SP112TW01, SWNBX2SP302AW01, SWNBX2SP302NQ22, SWNBX2SP302NW22, SWNLC2AP112TW01, SWNLC2AP112TW02, SWNLC2HP112TW01, SWNLC2HP112TW02, SWNLC2PP112TW01, SWNLC2PP112TW02, SWNLC2SP112TQ01, SWNLC2SP112TW01, SWNLC2SP112TW02, SWNLX1SP122DW01, SWNLX1SP542DW01, SWNLX1SP542NW23, SWNLX2AP112TW02, SWNLX2HP112TW01, SWNLX2HP112TW02, SWNLX2PP112TW02, SWNLX2SP112TW01, SWNLX2SP112TW02 and SWNLX2SP302AW01



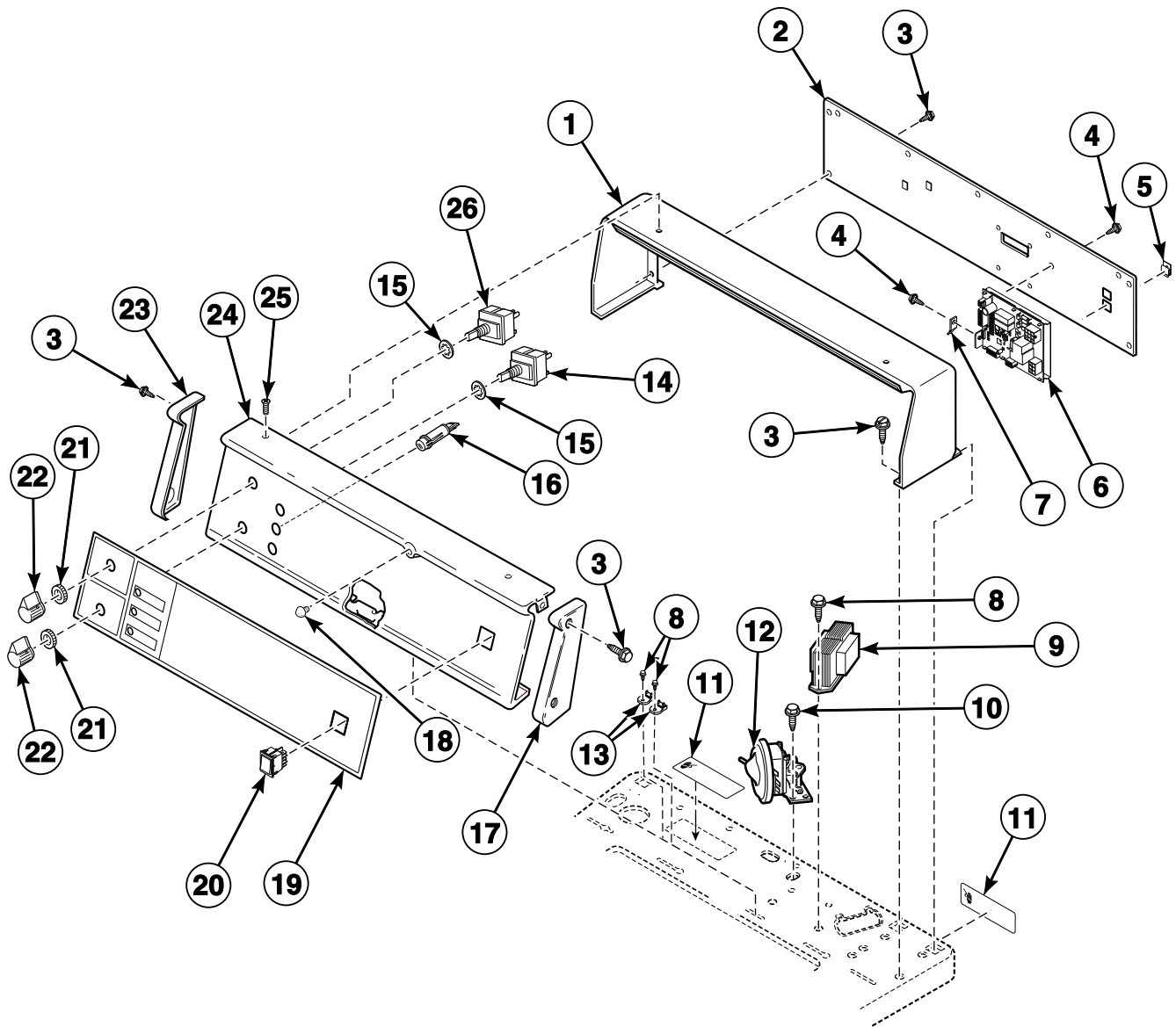
TLW1638P\_202731

# Electronic Coin Drop

REF	PART NO.	DESCRIPTION	COMMENTS
1	201091	Overlay	
2	201572	Clip	
3	38725	Coin Identification Paper	
4	CK115	Electronic Coin Drop Kit	Includes items 1-3 and 5-7; United States and Canada coins; Models BWNBC2PP112TW01, HWNBC2PP112TQ01, HWNBC2PP112TW01, HWNBD2SP112CQ01, HWNBD2SP112CW01, SWNBC2PP112TQ01, SWNBC2PP112TW01, SWNBC2PP112TW02, SWNBC2SP112TQ01, SWNBC2SP112TW01, SWNLC2AP112TW01, SWNLC2AP112TW02, SWNLC2HP112TW01, SWNLC2HP112TW02, SWNLC2PP112TW01, SWNLC2PP112TW02, SWNLC2SP112TQ01, SWNLC2SP112TW01 and SWNLC2SP112TW02 must also order items 8 and 9
	CK099	Electronic Coin Drop Kit	Includes items 1-3 and 5-7; Australia, New Zealand, Hong Kong and South Korea coins
	CK100	Electronic Coin Drop Kit	Includes items 1-3 and 5-7; Euro and Great Britain coins
	CK101	Electronic Coin Drop Kit	Includes items 1-3 and 5-7; Euro, Denmark and Norway coins
	CK103	Electronic Coin Drop Kit	Includes items 1-3 and 5-7; Euro, Lithuania and Latvia coins
	CK106	Electronic Coin Drop Kit	Includes items 1-3 and 5-7; Malaysia, China, Russia and Singapore coins
	CK108	Electronic Coin Drop Kit	Includes items 1-3 and 5-7; South African 1, 2, 5 rand coins
	CK109	Electronic Coin Drop Kit	Includes items 1-3 and 5-7; Euro coins
	CK110	Electronic Coin Drop Kit	Includes items 1-3 and 5-7; Mexico, Ecuador and United States coins
	CK113	Electronic Coin Drop Kit	Includes items 1-3 and 5-7; Japan and Taiwan coins
	CK120	Electronic Coin Drop Kit	Includes items 1-3 and 5-7; Chile coins
	CK121	Electronic Coin Drop Kit	Includes items 1-3 and 5-7; Singapore coins
5	70294105P	Electronic Coin Drop Assembly	Australia, New Zealand, Hong Kong and South Korea coins
	70294103P	Electronic Coin Drop Assembly	Euro and Great Britain coins
	70294104	Electronic Coin Drop Assembly	Euro, Denmark and Norway coins
	70294107	Electronic Coin Drop Assembly	Euro, Lithuania and Latvia coins
	70294109	Electronic Coin Drop Assembly	Malaysia, China, Russia and Singapore coins
	70294110	Electronic Coin Drop Assembly	South African 1, 2, 5 rand coins
	70294111	Electronic Coin Drop Assembly	Euro coins
	70294106	Electronic Coin Drop Assembly	Mexico, Ecuador and United States coins
	70294120	Electronic Coin Drop Assembly	Chile coins
	70294121	Electronic Coin Drop Assembly	Singapore coins
6	201216	Nut	
7	201104	Coin Drop Wire Harness	
8	802905	Harness Assembly	Electronic coin drop requires this harness. If unit is not factory-equipped with this harness, it must be ordered separately.
9	201375P	Transformer	Electronic coin drop requires this transformer. If unit is not factory-equipped with this transformer, it must be ordered separately.

# Control Panel, Control Hood and Controls (Drawing 1 of 11)

Models BWNMN2PP112CW01, GWNMN2PP112TW01, HWNMN2PP112TW01, HWNMN2SP112CW01, NWNMN1SP542NW22, NWNMN2SP302NW22, SWNMN1SP302NW22, SWNMN1SP302SW01, SWNMN2PP112TW01, SWNMN2SP112TW01, SWNMN2SP112TW08 and UWNMN2SP112CW01



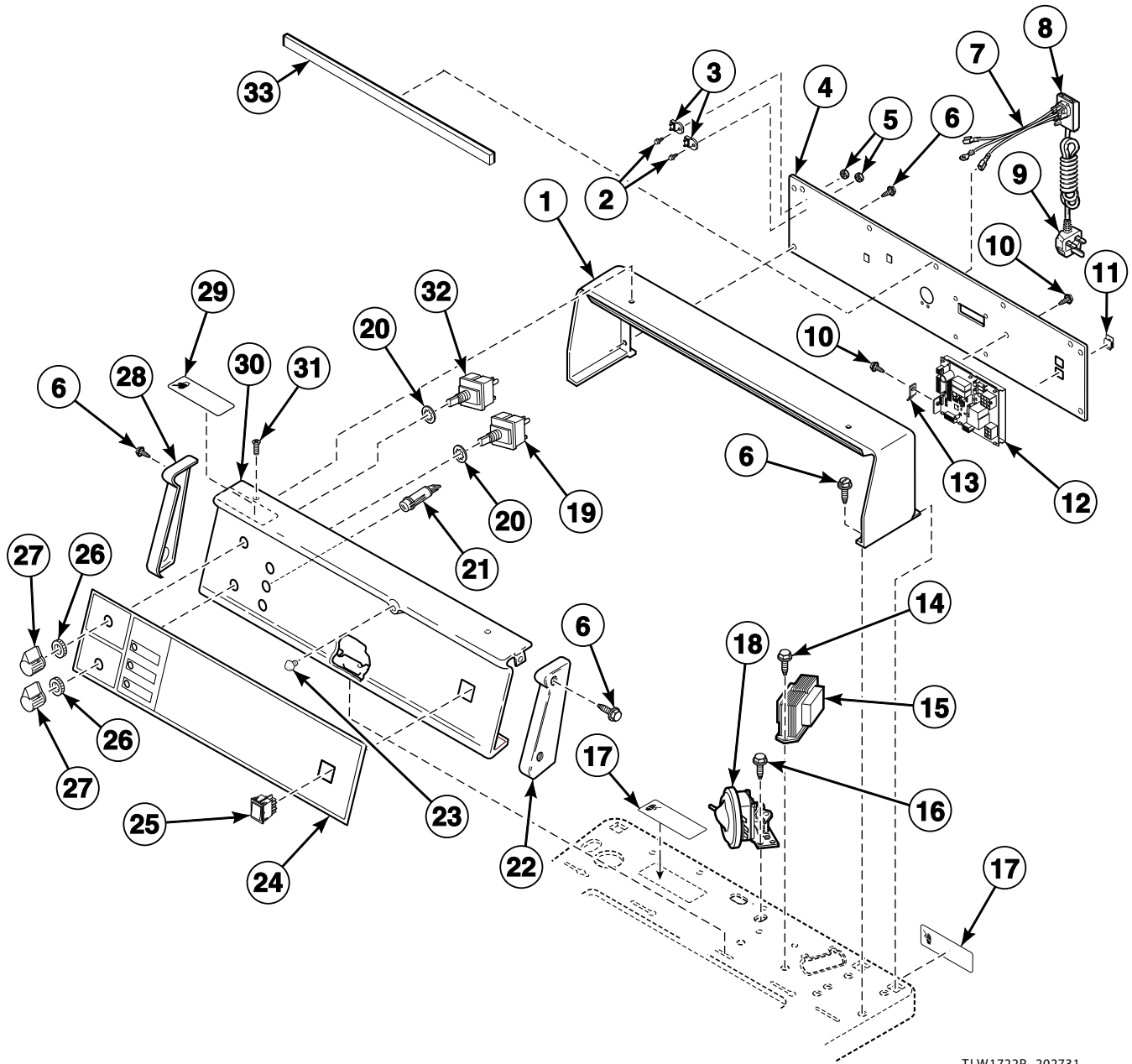
TLW1736P\_202731

# Control Panel, Control Hood and Controls (Drawing 1 of 11)

REF	PART NO.	DESCRIPTION	COMMENTS
1	210142W	Control Hood	
2	201732	Rear Panel	
3	501086	Screw	
4	501524	Screw	
5	M406494	Panel Clip	
6	202393P	Control Assembly	
7	00177	Male Tab Terminal	
8	503661	Screw	
9	201616P	Transformer	Models NWNMN1SP542NW22, NWNMN2SP302NW22, SWNMN1SP302NW22 and SWNMN1SP302SW01
	201587P	Transformer	All other models
10	23962	Screw	
11	505281	Disconnect Power Warning Label	
12	202655	Pressure Switch	
13	210100	Resistor	Models NWNMN1SP542NW22, NWNMN2SP302NW22, SWNMN1SP302NW22 and SWNMN1SP302SW01
14	201686	Cycle Selector Switch	All models except NWNMN1SP542NW22, SWNMN1SP302NW22 and SWNMN1SP302SW01
15	91176	Washer	
16	801431	Light	
17	210108W	End Cap	Right
18	32648	Control Panel Bumper	
	M400795	Bumper	Extra thick
19	201718	Control Overlay	Models SWNMN2PP112TW01, SWNMN2SP112TW01 and SWNMN2SP112TW08
	201762	Control Overlay	Models HWNMN2PP112TW01 and HWNMN2SP112CW01
	202012	Control Overlay	Model BWNMN2PP112CW01
	201936	Control Overlay	Model GWNMN2PP112TW01
	202012	Control Overlay	Model BWNMN2PP112CW01
	201744	Control Overlay	Models SWNMN1SP302NW22 and SWNMN1SP302SW01
	202134	Control Overlay	Model NWNMN1SP542NW22
	202129	Control Overlay	Model NWNMN2SP302NW22
202362	Control Overlay	Model UWNMN2SP112CW01	
20	70455101	Rocker Switch	
21	24205	Nut	
22	39897	Switch Knob	
23	210109W	End Cap	Left
24	201742W	Control Panel Assembly	
25	52864	Screw	
26	201686	Cycle Selector Switch	Models NWNMN1SP542NW22, SWNMN1SP302NW22 and SWNMN1SP302SW01
	27761	Switch	All other models

# Control Panel, Control Hood and Controls (Drawing 2 of 11)

Models BWNMN2PP302AW01, GWNMN1PP302AW01, GWNMN2PP302AW01 and SWNMN1SP302AW01



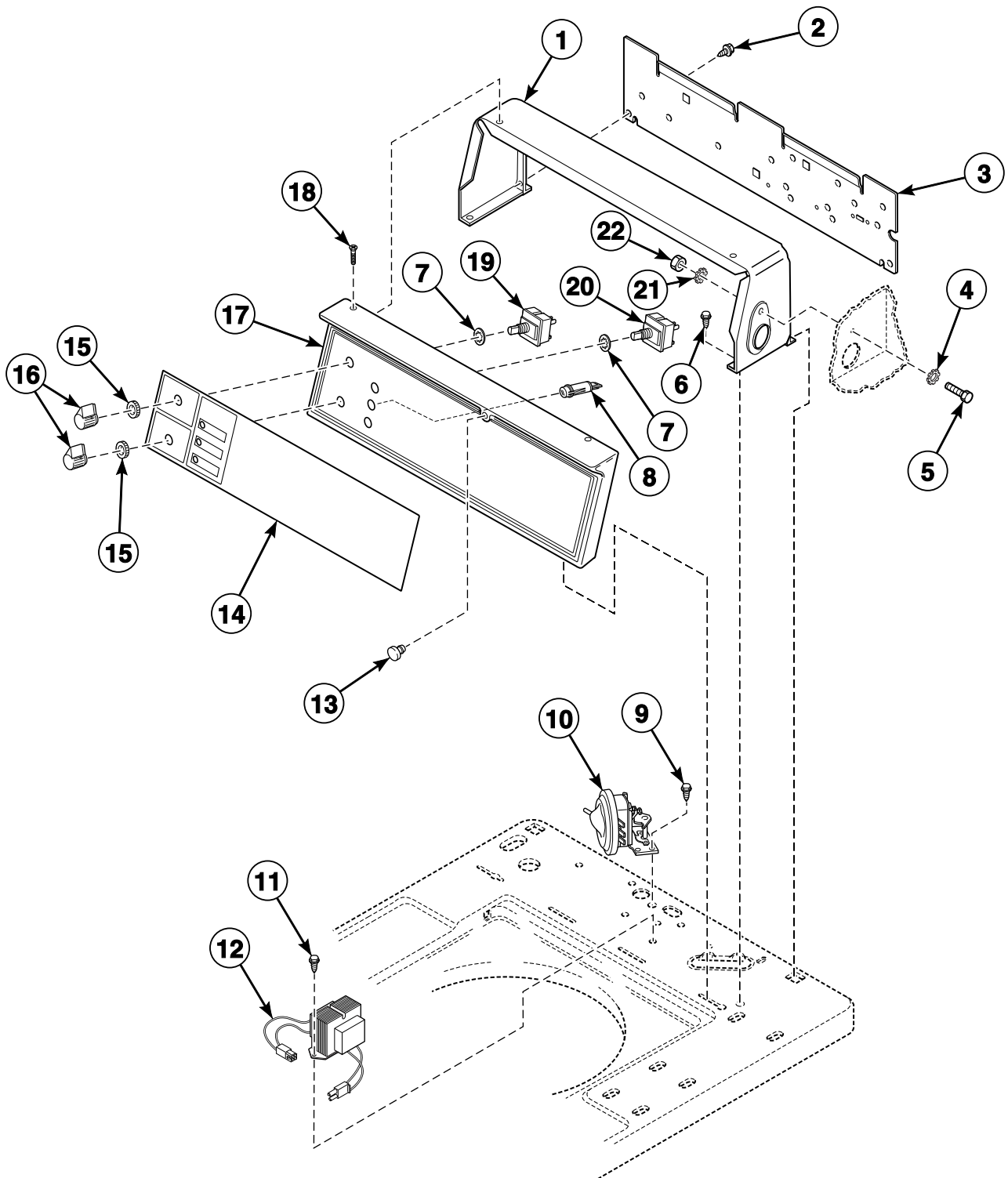
TLW1722P\_202731

## Control Panel, Control Hood and Controls (Drawing 2 of 11)

REF	PART NO.	DESCRIPTION	COMMENTS
1	210142W	Control Hood	
2	685837	Screw	
3	210100	Resistor	
4	201951	Rear Panel	
5	802343	Nut	
6	501086	Screw	
7	39923	Lead-In Wire Harness Assembly	
8	39922	Cable Connection Box	
9	39931	Power Cord Assembly	
10	501524	Screw	
11	M406494	Panel Clip	
12	202393P	Control Assembly	
13	00177	Male Tab Terminal	
14	503661	Screw	
15	201616P	Transformer	
16	23962	Screw	
17	505281	Disconnect Power Warning Label	
18	202655	Pressure Switch	
19	201686	Cycle Selector Switch	Models BWNMN2PP302AW01 and GWNMN2PP302AW01
20	91176	Washer	
21	801431	Light	
22	210108W	End Cap	Right
23	32648	Control Panel Bumper	
	M400795	Bumper	Extra thick
24	201744	Control Overlay	Model SWNMN1SP302AW01
	201938	Control Overlay	Model GWNMN1PP302AW01
	201936	Control Overlay	Model GWNMN2PP302AW01
	202012	Control Overlay	Model BWNMN2PP302AW01
25	70455101	Rocker Switch	
26	24205	Nut	
27	39897	Switch Knob	
28	210109W	End Cap	Left
29	511021	Shock Warning Label	
30	201742W	Control Panel Assembly	
31	52864	Screw	
32	27761	Switch	Models BWNMN2PP302AW01 and GWNMN1PP302AW01
	201686	Cycle Selector Switch	All other models
33	70392701P	Gasket	

# Control Panel, Control Hood and Controls (Drawing 3 of 11)

Models BWNSX2PP112CW01, GWNSX2PP112TW01, HWNSX1PP112TQ01, HWNSX1PP112TW01, HWNSX1SP112CW01, HWNSX2PP112TQ01, HWNSX2PP112TW01, HWNSX2SP112CW01, SWNSX1PP112TQ01, SWNSX1PP112TW01, SWNSX1SP112TQ01, SWNSX1SP112TW01, SWNSX2PP112TQ01, SWNSX2PP112TW01, SWNSX2PP112TW02, SWNSX2SP112TQ01 and SWNSX2SP112TW01



TLW1600P\_202731

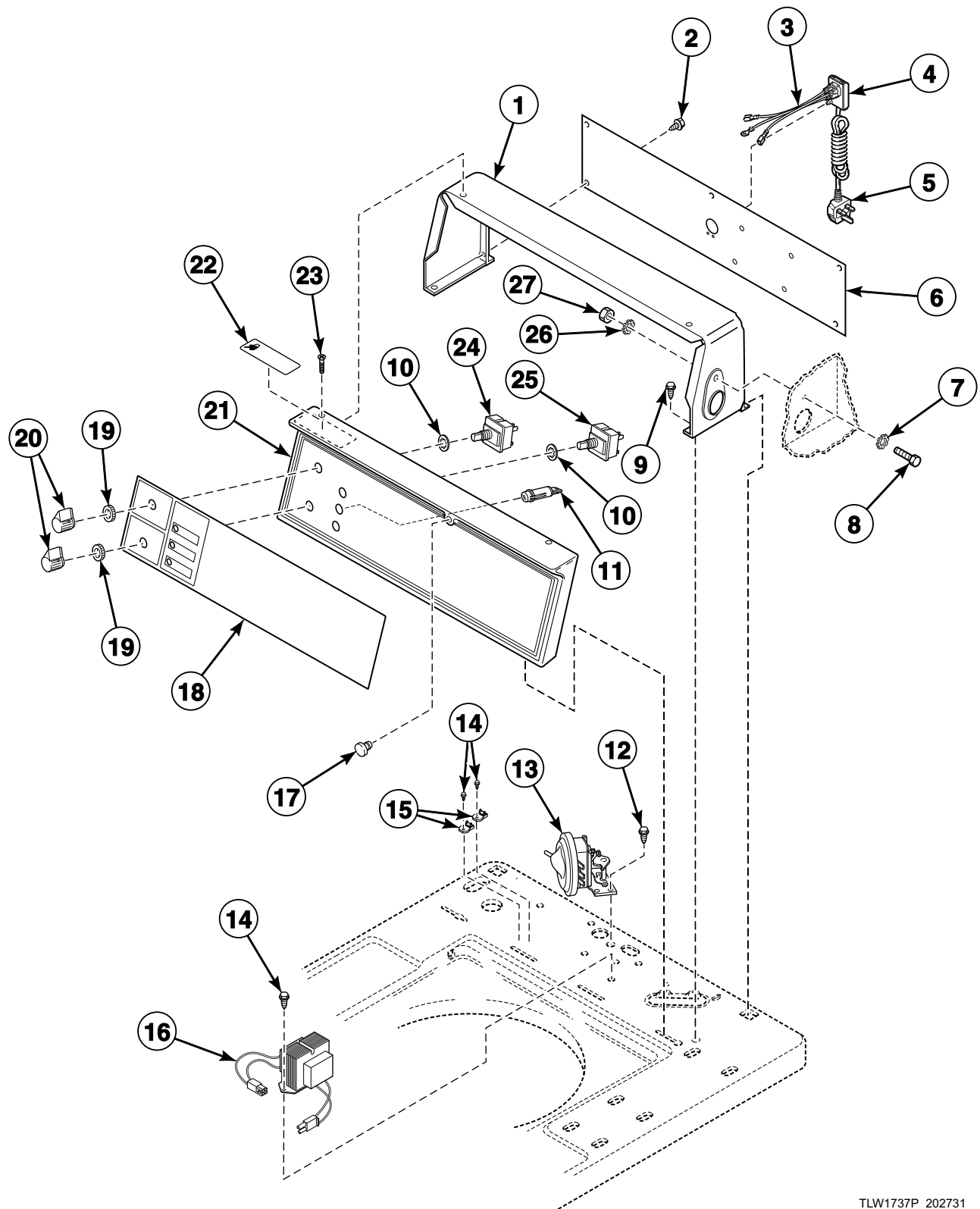


## Control Panel, Control Hood and Controls (Drawing 3 of 11)

REF	PART NO.	DESCRIPTION	COMMENTS
1	37075W	Control Hood	White
	37075Q	Control Hood	Bisque
2	23222	Screw	
3	38267	Hood Back Panel	
4	M400017	Washer	
5	02916	Screw	
6	501086	Screw	
7	91176	Washer	
8	801431	Light	
9	23962	Screw	
10	202655	Pressure Switch	
11	503661	Screw	
12	201587P	Transformer	
13	32648	Control Panel Bumper	
	M400795	Bumper	Extra thick
14	201668	Control Overlay	Models SWNSX2PP112TQ01, SWNSX2PP112TW01, SWNSX2PP112TW02, SWNSX2SP112TQ01 and SWNSX2SP112TW01
	201674	Control Overlay	Models HWNSX1PP112TQ01, HWNSX1PP112TW01 and HWNSX1SP112CW01
	201675	Control Overlay	Models HWNSX2PP112TQ01, HWNSX2PP112TW01 and HWNSX2SP112CW01
	201667	Control Overlay	Models SWNSX1PP112TQ01, SWNSX1PP112TW01, SWNSX1SP112TQ01 and SWNSX1SP112TW01
	201935	Control Overlay	Model GWNSX2PP112TW01
	201999	Graphic Overlay	Model BWNSX2PP112CW01
15	24205	Nut	
16	39897	Switch Knob	
17	36521WP	Control Panel and Bracket Assembly	White
	36521QP	Control Panel and Bracket Assembly	Bisque
18	500226	Screw	Phillips head
	35528	Screw	Torx head
19	27761	Switch	Models BWNSX2PP112CW01, GWNSX2PP112TW01, HWNSX2PP112TQ01, HWNSX2PP112TW01, HWNSX2SP112CW01, SWNSX2PP112TQ01, SWNSX2PP112TW01, SWNSX2PP112TW02, SWNSX2SP112TQ01 and SWNSX2SP112TW01
	201686	Cycle Selector Switch	All other models
20	201686	Cycle Selector Switch	Models BWNSX2PP112CW01, GWNSX2PP112TW01, HWNSX2PP112TQ01, HWNSX2PP112TW01, HWNSX2SP112CW01, SWNSX2PP112TQ01, SWNSX2PP112TW01, SWNSX2PP112TW02, SWNSX2SP112TQ01 and SWNSX2SP112TW01
21	02431	Washer	
22	52566	Nut	

# Control Panel, Control Hood and Controls (Drawing 4 of 11)

Models GWNSX1PP302AW01, GWNSX2PP302AW01, NWNSX2SP302NW22, SWNSX1PP302AW01, SWNSX1SP302AW01, SWNSX1SP302BW01, SWNSX1SP302NW22, SWNSX1SP302SW01, SWNSX1SP302UW01 and SWNSX1SP542NW22



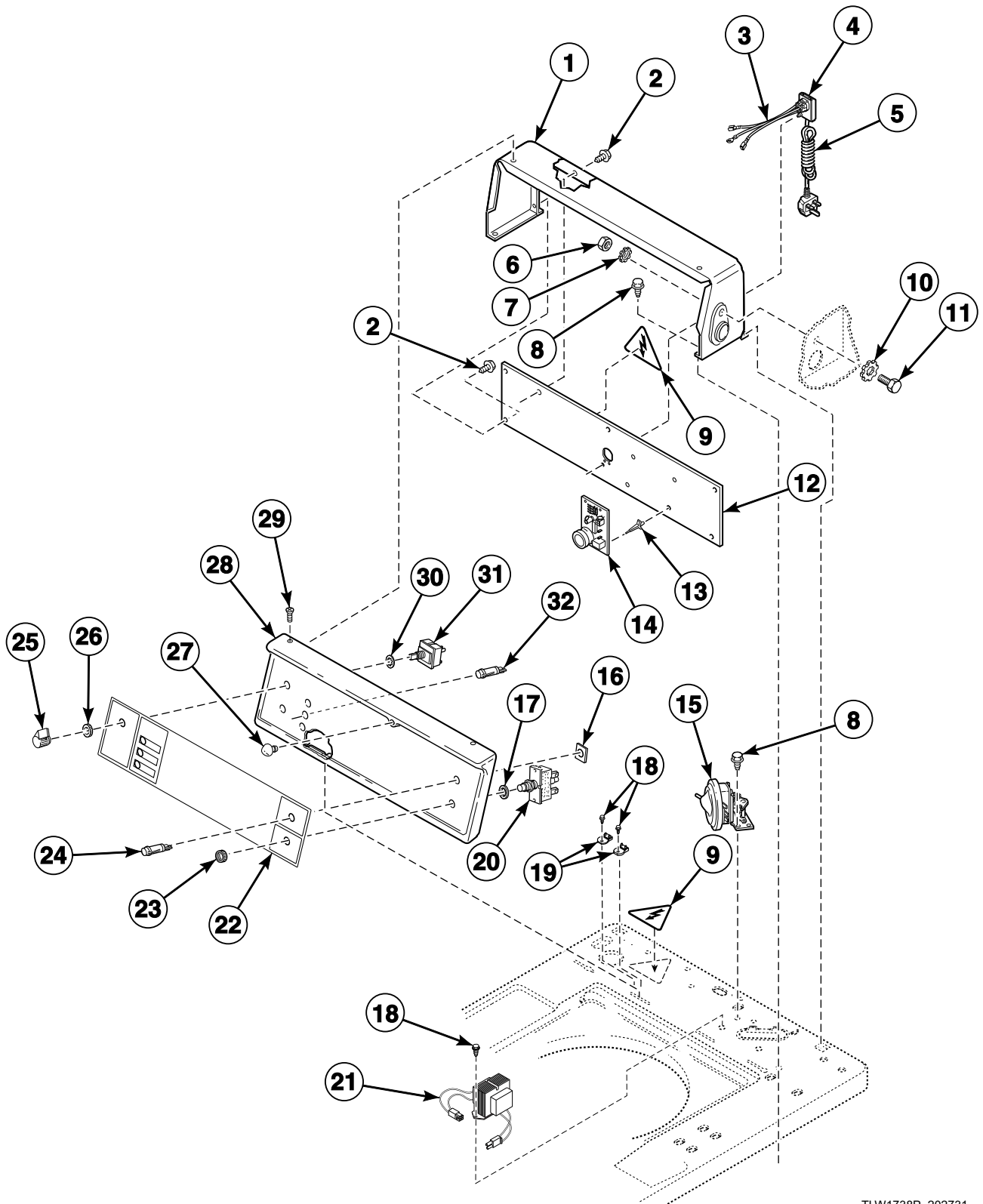
TLW1737P\_202731

## Control Panel, Control Hood and Controls (Drawing 4 of 11)

REF	PART NO.	DESCRIPTION	COMMENTS
1	37075W	Control Hood	White
	37075Q	Control Hood	Bisque
2	23222	Screw	
3	39923	Lead-In Wire Harness Assembly	Models GWNSX1PP302AW01, GWNSX2PP302AW01, SWNSX1PP302AW01, SWNSX1SP302AW01, SWNSX1SP302BW01 and SWNSX1SP302UW01
4	39922	Cable Connection Box	Models GWNSX1PP302AW01, GWNSX2PP302AW01, SWNSX1PP302AW01, SWNSX1SP302AW01, SWNSX1SP302BW01 and SWNSX1SP302UW01
5	39926	Lead-In Cord	Model SWNSX1SP302UW01
	39931	Power Cord Assembly	Models GWNSX1PP302AW01, GWNSX2PP302AW01, SWNSX1PP302AW01 and SWNSX1SP302AW01
	39984	Power Cord Assembly	Model SWNSX1SP302BW01
6	39920	Hood Back Panel	Models GWNSX1PP302AW01, GWNSX2PP302AW01, SWNSX1PP302AW01, SWNSX1SP302AW01, SWNSX1SP302BW01 and SWNSX1SP302UW01
	38267	Hood Back Panel	All other models
7	M400017	Washer	
8	02916	Screw	
9	501086	Screw	
10	91176	Washer	
11	801431	Light	
12	23962	Screw	
13	202655	Pressure Switch	
14	503661	Screw	
15	210100	Resistor	
16	201616P	Transformer	Some models may have jumper wire attached to transformer. Discard jumper wire when replacing transformer.
17	32648	Control Panel Bumper	
	M400795	Bumper	Extra thick
18	201937	Control Overlay	Model GWNSX1PP302AW01
	202130	Control Overlay	Model NWNSX2SP302NW22
	201935	Control Overlay	Model GWNSX2PP302AW01
	201667	Control Overlay	All other models
19	24205	Nut	
20	39897	Switch Knob	
21	36521WP	Control Panel and Bracket Assembly	White
	36521QP	Control Panel and Bracket Assembly	Bisque
22	511021	Shock Warning Label	Models GWNSX1PP302AW01, GWNSX2PP302AW01, SWNSX1PP302AW01 and SWNSX1SP302AW01
23	500226	Screw	Phillips head
	35528	Screw	Torx head
24	27761	Switch	Models GWNSX2PP302AW01 and NWNSX2SP302NW22
	201686	Cycle Selector Switch	All other models
25	201686	Cycle Selector Switch	Models GWNSX2PP302AW01 and NWNSX2SP302NW22
26	02431	Washer	
27	52566	Nut	

# Control Panel, Control Hood and Controls (Drawing 5 of 11)

Models GWNSX1PP302EW09, HWNSX1SP302UW09 and SWNSX1SP302EW09



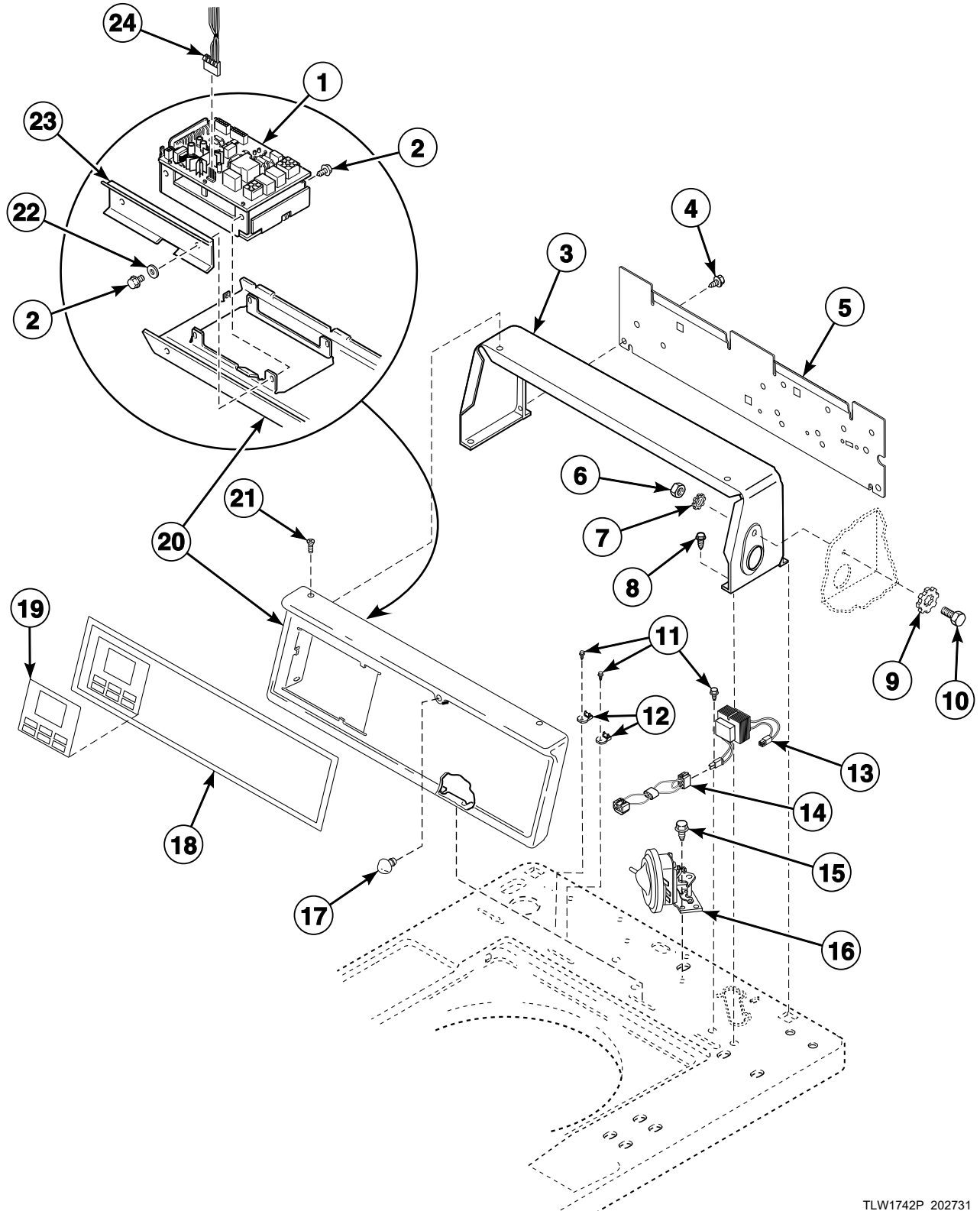
TLW1738P\_202731

## Control Panel, Control Hood and Controls (Drawing 5 of 11)

REF	PART NO.	DESCRIPTION	COMMENTS
1	37075W	Control Hood	
2	23222	Screw	
3	201405P	Lead-In Wire Harness Assembly	Model HWNSX1SP302UW09
4	39922	Cable Connection Box	
5	39925	Power Cord Assembly	Models GWNSX1PP302EW09 and SWNSX1SP302EW09
	39926	Lead-In Cord	Model HWNSX1SP302UW09
6	52566	Nut	
7	02431	Washer	
8	23962	Screw	
9	F8211201	Electrical Shock Label	
10	M400017	Washer	
11	02916	Screw	
12	39920	Hood Back Panel	
13	501523	Circuit Board Support	
14	37225P	Control Lid Lock Assembly	
15	202655	Pressure Switch	
16	34762	Push-On Clip	
17	F430339	Washer	
18	503661	Screw	
19	210100	Resistor	
20	55882	Switch Assembly	
21	201616P	Transformer	
22	201673	Control Overlay	Model SWNSX1SP302EW09
	202022	Control Overlay	Model GWNSX1PP302EW09
	202408	Control Overlay	Model HWNSX1SP302UW09
23	52947	Nut	
24	39536	Lid Switch Indicator Light	
25	39897	Switch Knob	
26	24205	Nut	
27	32648	Control Panel Bumper	
	M400795	Bumper	Extra thick
28	36521WP	Control Panel and Bracket Assembly	
29	500226	Screw	Phillips head
	35528	Screw	Torx head; Optional for added security
30	91176	Washer	
31	201686	Cycle Selector Switch	
32	801431	Light	

# Control Panel, Control Hood and Controls (Drawing 6 of 11)

Models BWNBC2PP112TW01, BWNBX2PP112TW01, HWNBC2PP112TQ01, HWNBC2PP112TW01, HWNBD2SP112CQ01, HWNBD2SP112CW01, HWNBE2SP112CW01, HWNBX1SP122DW01, HWNBX2SP112CW01, HWNBX2SP112FW28, HWNLX1SP122DW01, NWNBX2SP302NW22, SWNBC2PP112TQ01, SWNBC2PP112TW01, SWNBC2PP112TW02, SWNBC2SP112TQ01, SWNBC2SP112TW01, SWNBX1SP122DW01, SWNBX2PP112TW02, SWNBX2SP082JW01, SWNBX2SP112FW27, SWNBX2SP112TQ01, SWNBX2SP112TW01, SWNBX2SP302NQ22, SWNBX2SP302NW22 and SWNLX1SP122DW01



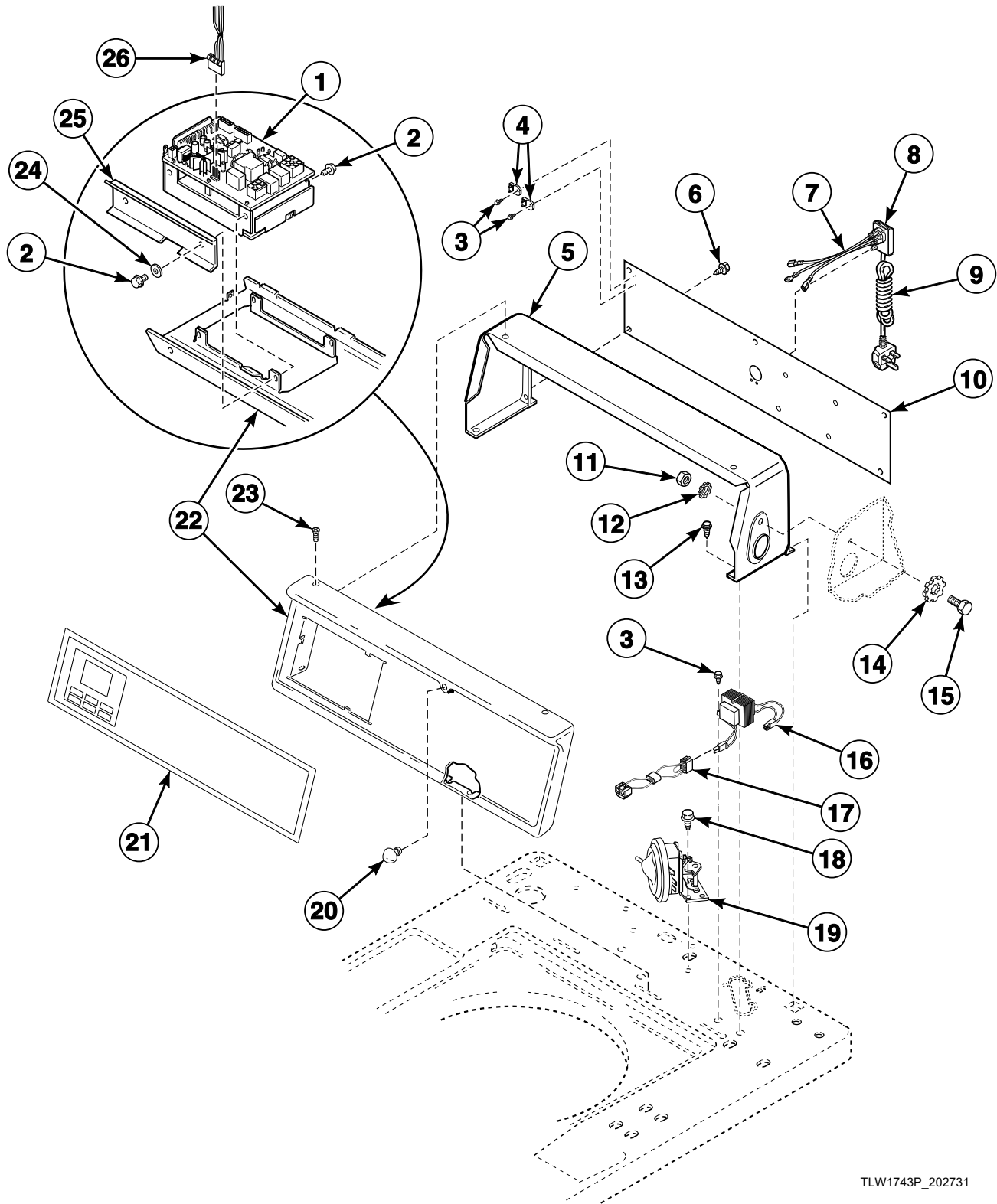
TLW1742P\_202731

## Control Panel, Control Hood and Controls (Drawing 6 of 11)

REF	PART NO.	DESCRIPTION	COMMENTS
1	202392P	Control Assembly	
2	501524	Screw	
3	37075W	Control Hood	White
	37075Q	Control Hood	Bisque
4	23222	Screw	
5	38267	Hood Back Panel	
6	52566	Nut	
7	02431	Washer	
8	501086	Screw	
9	M400017	Washer	
10	02916	Screw	
11	503661	Screw	
12	210100	Resistor	Models NWNBX2SP302NW22, SWNBX2SP302NQ22 and SWNBX2SP302NW22
13	803527P	Transformer	Models NWNBX2SP302NW22, SWNBX2SP082JW01, SWNBX2SP302NQ22 and SWNBX2SP302NW22
	201375P	Transformer	Some models may have jumper wire attached to transformer. Discard jumper wire when replacing transformer.; Models BWNBX2PP112TW01, HWNBE2SP112CW01, HWNBX2SP112CW01, HWNBX2SP112FW28, SWNBX2PP112TW02, SWNBX2SP112FW27, SWNBX2SP112TQ01 and SWNBX2SP112TW01
	210018P	Transformer	All other models
14	M413507	Jumper Configuration Assembly	Models NWNBX2SP302NW22, SWNBX2SP302NQ22 and SWNBX2SP302NW22
15	23962	Screw	
16	202655	Pressure Switch	
17	32648	Control Panel Bumper	
	M400795	Bumper	Extra thick
18	202174	Overlay	Model NWNBX2SP302NW22
	200918	Overlay	Models SWNBC2PP112TQ01, SWNBC2PP112TW01, SWNBC2PP112TW02, SWNBC2SP112TQ01, SWNBC2SP112TW01, SWNBX1SP122DW01, SWNBX2PP112TW02, SWNBX2SP082JW01, SWNBX2SP112FW27, SWNBX2SP112TQ01, SWNBX2SP112TW01, SWNBX2SP302NQ22 and SWNBX2SP302NW22
	200919	Overlay	Models HWNBC2PP112TQ01, HWNBC2PP112TW01, HWNBD2SP112CQ01, HWNBD2SP112CW01, HWNBE2SP112CW01, HWNBX1SP122DW01, HWNBX2SP112CW01 and HWNBX2SP112FW28
	202417	Control Overlay	Model HWNLX1SP122DW01
	202098	Overlay	Models BWNBC2PP112TWO1 and BWNBX2PP112TW01
	202416	Control Panel Overlay	Model SWNLX1SP122DW01
	19	202310	Overlay
20	210042W	Control Panel Assembly	White
	210042Q	Control Panel Assembly	Bisque
21	52864	Screw	Phillips head
	35528	Screw	Torx head
22	200608	Washer	
23	210053	Control Shield	
24	511478	Central Pay Harness	

# Control Panel, Control Hood and Controls (Drawing 7 of 11)

Models BWNBX2PP302AW01, HWNBX1SP122DW01, HWNBX1SP542DW01, HWNLX1SP122DW01,  
HWNLX1SP542DW01, SWNBX1SP122DW01, SWNBX1SP542DW01, SWNBX2SP302AW01,  
SWNLX1SP122DW01 and SWNLX1SP542DW01



TLW1743P\_202731

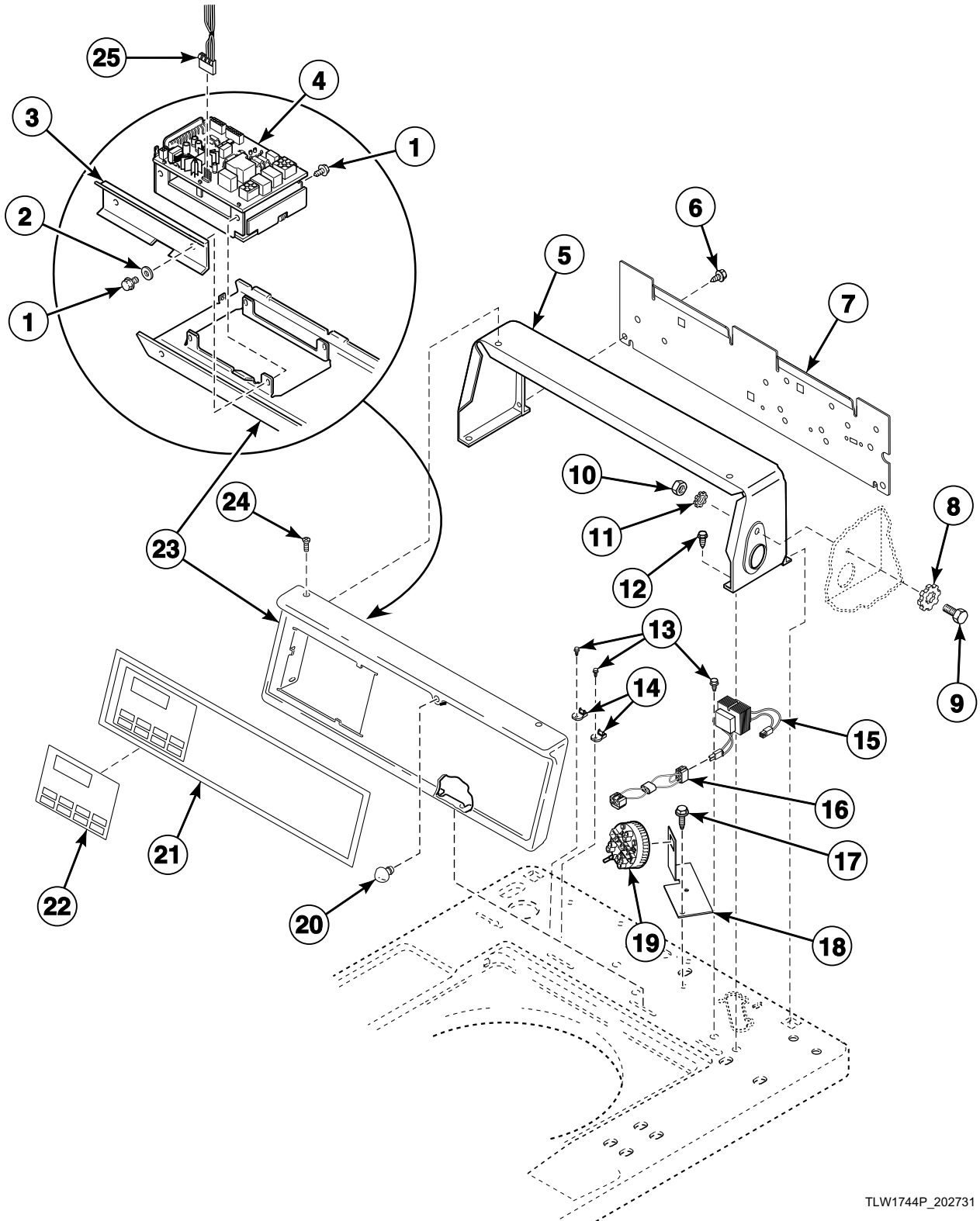


## Control Panel, Control Hood and Controls (Drawing 7 of 11)

REF	PART NO.	DESCRIPTION	COMMENTS
1	202392P	Control Assembly	
2	501524	Screw	
3	503661	Screw	
4	210100	Resistor	Models BWNBX2PP302AW01, HWNBX1SP542DW01, HWNLX1SP542DW01, SWNBX1SP542DW01, SWNBX2SP302AW01 and SWNLX1SP542DW01
5	37075W	Control Hood	
6	23222	Screw	
7	39923	Lead-In Wire Harness Assembly	Models BWNBX2PP302AW01 and SWNBX2SP302AW01
	201405P	Lead-In Wire Harness Assembly	All other models
8	39922	Cable Connection Box	
9	39931	Power Cord Assembly	Models BWNBX2PP302AW01 and SWNBX2SP302AW01
	804556	Lead-In Cord Assembly	All other models
10	203074	Rear Panel	Models BWNBX2PP302AW01 and SWNBX2SP302AW01
	39920	Hood Back Panel	All other models
11	52566	Nut	
12	02431	Washer	
13	501086	Screw	
14	M400017	Washer	
15	02916	Screw	
16	803527P	Transformer	Models BWNBX2PP302AW01 and SWNBX2SP302AW01
	201375P	Transformer	All other models
17	M413507	Jumper Configuration Assembly	Models BWNBX2PP302AW01, HWNBX1SP542DW01, HWNLX1SP542DW01, SWNBX1SP542DW01, SWNBX2SP302AW01 and SWNLX1SP542DW01
18	23962	Screw	
19	202655	Pressure Switch	
20	32648	Control Panel Bumper	
	M400795	Bumper	Extra thick
21	200919	Overlay	Models HWNBX1SP122DW01 and HWNBX1SP542DW01
	202416	Control Panel Overlay	Models SWNLX1SP122DW01 and SWNLX1SP542DW01
	202417	Control Overlay	Models HWNLX1SP122DW01 and HWNLX1SP542DW01
	202098	Overlay	Model BWNBX2PP302AW01
	200918	Overlay	All other models
22	210042W	Control Panel Assembly	
23	52864	Screw	
24	200608	Washer	
25	210053	Control Shield	
26	511478	Central Pay Harness	

# Control Panel, Control Hood and Controls (Drawing 8 of 11)

Models HWNLE2AP112CW01, HWNLE2HP112CW01, HWNLE2SP112CW01, HWNLX2HP112CW01, HWNLX2SP112CW01, SWNLC2AP112TW01, SWNLC2AP112TW02, SWNLC2HP112TW01, SWNLC2HP112TW02, SWNLC2PP112TW01, SWNLC2PP112TW02, SWNLC2SP112TQ01, SWNLC2SP112TW01, SWNLC2SP112TW02, SWNLX1SP542NW23, SWNLX2AP112TW02, SWNLX2HP112TW01, SWNLX2HP112TW02, SWNLX2PP112TW02, SWNLX2SP112TW01 and SWNLX2SP112TW02



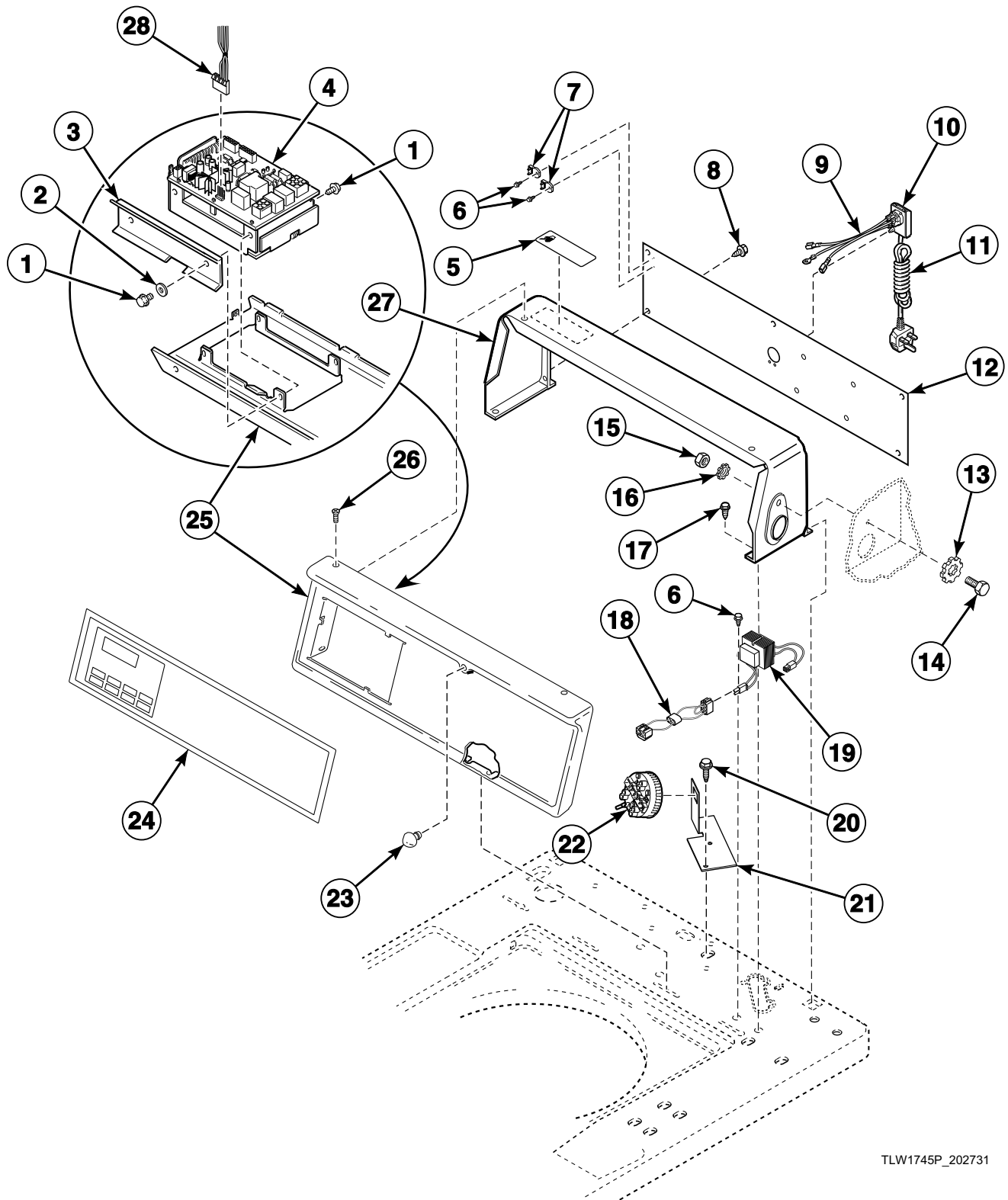
TLW1744P\_202731

## Control Panel, Control Hood and Controls (Drawing 8 of 11)

REF	PART NO.	DESCRIPTION	COMMENTS
	202828	Options Label	English
	202829	Options Label	Spanish
	NK201	Network Retrofit Kit	Wired
	NK220	Network Controller Kit	Wired
	NK301	Wireless Network Kit	
	NK320	Ethernet Gateway Kit	Wireless
	NK330	USB Gateway Kit	Wireless
<b>1</b>	501524	Screw	
<b>2</b>	200608	Washer	
<b>3</b>	210053	Control Shield	
<b>4</b>	202820P	Control Assembly	Models HWNLE2AP112CW01, HWNLE2HP112CW01, HWNLX2HP112CW01, SWNLC2AP112TW01, SWNLC2AP112TW02, SWNLC2HP112TW01, SWNLC2HP112TW02, SWNLX2AP112TW02, SWNLX2HP112TW01 and SWNLX2HP112TW02
	202391P	Control Assembly	All other models
<b>5</b>	37075Q	Control Hood	Model SWNLC2SP112TQ01
	37075W	Control Hood	All other models
<b>6</b>	23222	Screw	
<b>7</b>	38267	Hood Back Panel	
<b>8</b>	M400017	Washer	
<b>9</b>	02916	Screw	
<b>10</b>	52566	Nut	
<b>11</b>	02431	Washer	
<b>12</b>	501086	Screw	
<b>13</b>	503661	Screw	
<b>14</b>	210100	Resistor	Model SWNLX1SP542NW23
<b>15</b>	201375P	Transformer	Some models may have jumper wire attached to transformer. Discard jumper wire when replacing transformer; Models HWNLE2AP112CW01, HWNLE2HP112CW01, HWNLE2SP112CW01, HWNLX2HP112CW01, HWNLX2SP112CW01, SWNLX2AP112TW02, SWNLX2HP112TW01, SWNLX2HP112TW02, SWNLX2PP112TW02, SWNLX2SP112TW01 and SWNLX2SP112TW02
	803527P	Transformer	Model SWNLX1SP542NW23
	210018P	Transformer	All other models
<b>16</b>	M413507	Jumper Configuration Assembly	Model SWNLX1SP542NW23
<b>17</b>	23962	Screw	
<b>18</b>	201789	Pressure Switch Bracket	
<b>19</b>	803637	Pressure Switch	Service only switch; Models HWNLE2AP112CW01, HWNLE2HP112CW01, HWNLX2HP112CW01, SWNLC2AP112TW01, SWNLC2AP112TW02, SWNLC2SP112TW01, SWNLC2SP112TW02, SWNLX2AP112TW02, SWNLX2HP112TW01 and SWNLX2HP112TW02
	803638P	Pressure Switch	All other models
<b>20</b>	202469	Control Panel Bumper	
	M400795	Bumper	Extra thick
<b>21</b>	202417	Control Overlay	Models HWNLE2AP112CW01, HWNLE2HP112CW01, HWNLE2SP112CW01, HWNLX2HP112CW01 and HWNLX2SP112CW01
	202416	Control Panel Overlay	All other models
<b>22</b>	202309	Control Sticker Overlay	French/English; Models HWNLE2AP112CW01, HWNLE2HP112CW01, HWNLE2SP112CW01, HWNLX2HP112CW01 and HWNLX2SP112CW01
<b>23</b>	210042Q	Control Panel Assembly	Model SWNLC2SP112TQ01
	210042W	Control Panel Assembly	All other models
<b>24</b>	52864	Screw	Phillips head
	35528	Screw	Torx head
<b>25</b>	511478	Central Pay Harness	

# Control Panel, Control Hood and Controls (Drawing 9 of 11)

Model SWNLX2SP302AW01



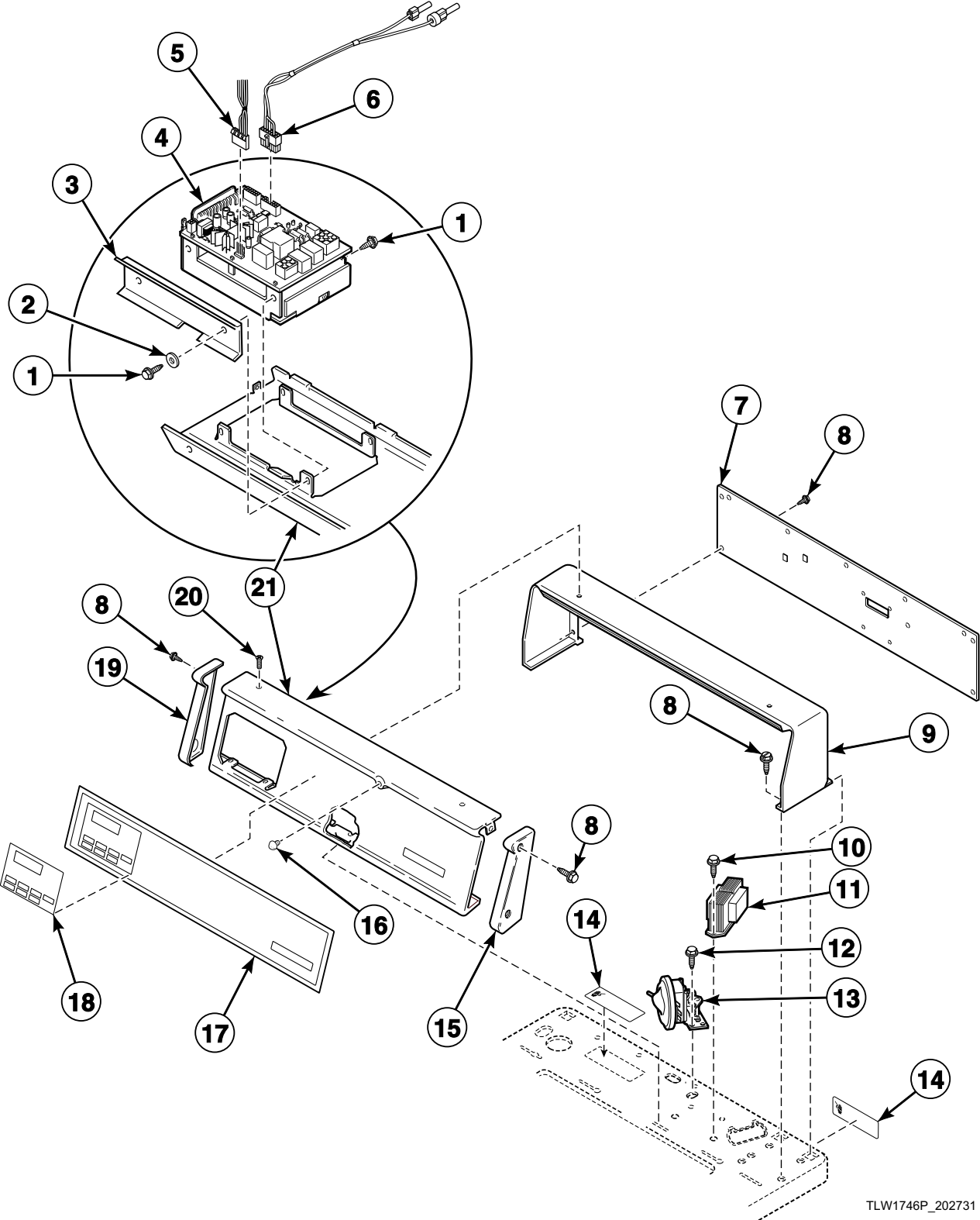
TLW1745P\_202731

## Control Panel, Control Hood and Controls (Drawing 9 of 11)

REF	PART NO.	DESCRIPTION	COMMENTS
	202829	Options Label	Spanish
	NK201	Network Retrofit Kit	Wired
	NK220	Network Controller Kit	Wired
	NK301	Wireless Network Kit	
	NK320	Ethernet Gateway Kit	Wireless
	NK330	USB Gateway Kit	Wireless
<b>1</b>	501524	Screw	
<b>2</b>	200608	Washer	
<b>3</b>	210053	Control Shield	
<b>4</b>	202391P	Control Assembly	
<b>5</b>	511021	Shock Warning Label	
<b>6</b>	503661	Screw	
<b>7</b>	210100	Resistor	
<b>8</b>	23222	Screw	
<b>9</b>	201405P	Lead-In Wire Harness Assembly	
<b>10</b>	39922	Cable Connection Box	
<b>11</b>	39931	Power Cord Assembly	
<b>12</b>	39920	Hood Back Panel	
<b>13</b>	M400017	Washer	
<b>14</b>	02916	Screw	
<b>15</b>	52566	Nut	
<b>16</b>	02431	Washer	
<b>17</b>	501086	Screw	
<b>18</b>	M413507	Jumper Configuration Assembly	
<b>19</b>	803527P	Transformer	
<b>20</b>	23962	Screw	
<b>21</b>	201789	Pressure Switch Bracket	
<b>22</b>	803638P	Pressure Switch	
	803637	Pressure Switch	Use for higher water level
<b>23</b>	202469	Control Panel Bumper	
	M400795	Bumper	Extra thick
<b>24</b>	202416	Control Panel Overlay	
<b>25</b>	210042W	Control Panel Assembly	
<b>26</b>	52864	Screw	Phillips head
	35528	Screw	Torx head
<b>27</b>	37075W	Control Hood	
<b>28</b>	511478	Central Pay Harness	

# Control Panel, Control Hood and Controls (Drawing 10 of 11)

Models BWNBY2PP112TW01, HWNBY2PP112TW01, HWNBY2SP112CW01,  
SWNBY2PP112TW01 and SWNBY2SP112TW01



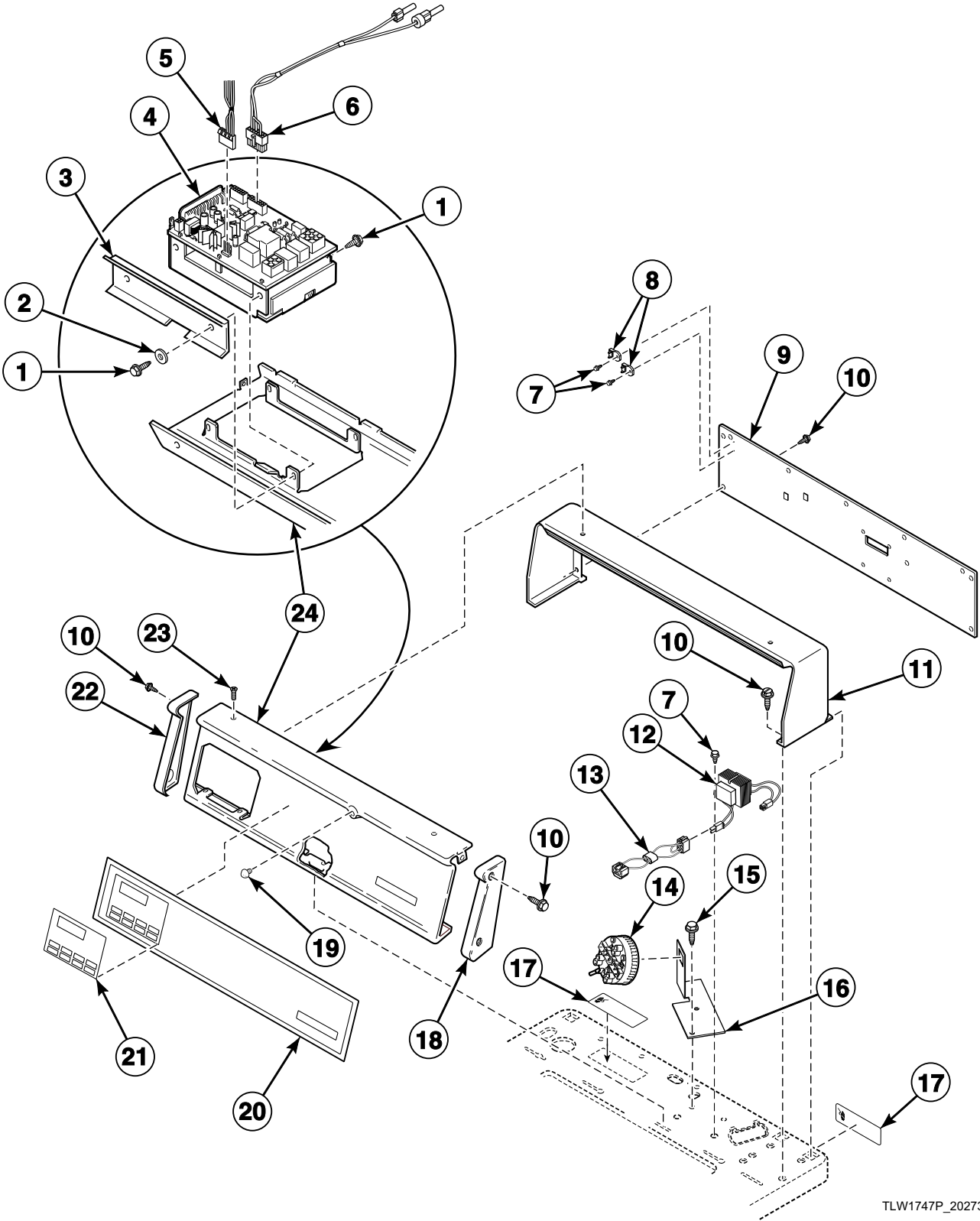
TLW1746P\_202731

# Control Panel, Control Hood and Controls (Drawing 10 of 11)

REF	PART NO.	DESCRIPTION	COMMENTS
1	501524	Screw	
2	200608	Washer	
3	210053	Control Shield	
4	202392P	Control Assembly	
5	511478	Central Pay Harness	
6	800680	Diagnostic Wire Harness Assembly	
7	210143	Rear Panel	
8	501086	Screw	
9	210142W	Control Hood	
10	503661	Screw	
11	210018P	Transformer	Models BWNBY2PP112TW01, SWNBY2PP112TW01 and SWNBY2SP112TW01
	201375P	Transformer	Some models may have jumper wire attached to transformer. Discard jumper wire when replacing transformer.; Models HWNBY2PP112TW01 and HWNBY2SP112CW01
12	23962	Screw	
13	202655	Pressure Switch	
14	505281	Disconnect Power Warning Label	Models BWNBY2PP112TW01, SWNBY2PP112TW01 and SWNBY2SP112TW01
	500316	Warning Label	Models HWNBY2PP112TW01 and HWNBY2SP112CW01
15	210108W	End Cap	Right
16	32648	Control Panel Bumper	
	M400795	Bumper	Extra thick
17	201003	Control Panel Overlay	Models BWNBY2PP112TW01, SWNBY2PP112TW01 and SWNBY2SP112TW01
	201007	Control Panel Overlay	Models HWNBY2PP112TW01 and HWNBY2SP112CW01
18	202310	Overlay	French/English; Models HWNBY2PP112TW01 and HWNBY2SP112CW01
	202832	Overlay	Model BWNBY2PP112TW01
19	210109W	End Cap	Left
20	52864	Screw	
21	210137W	Control Panel Assembly	

# Control Panel, Control Hood and Controls (Drawing 11 of 11)

Models HWNLY2HP112CW01, HWNLY2SP112CW01, SWNLY2AP112TW01, SWNLY2HP112TW01, SWNLY2PP112TW01, SWNLY2SP112TW01 and SWNLY2SP302NW22



TLW1747P\_202731

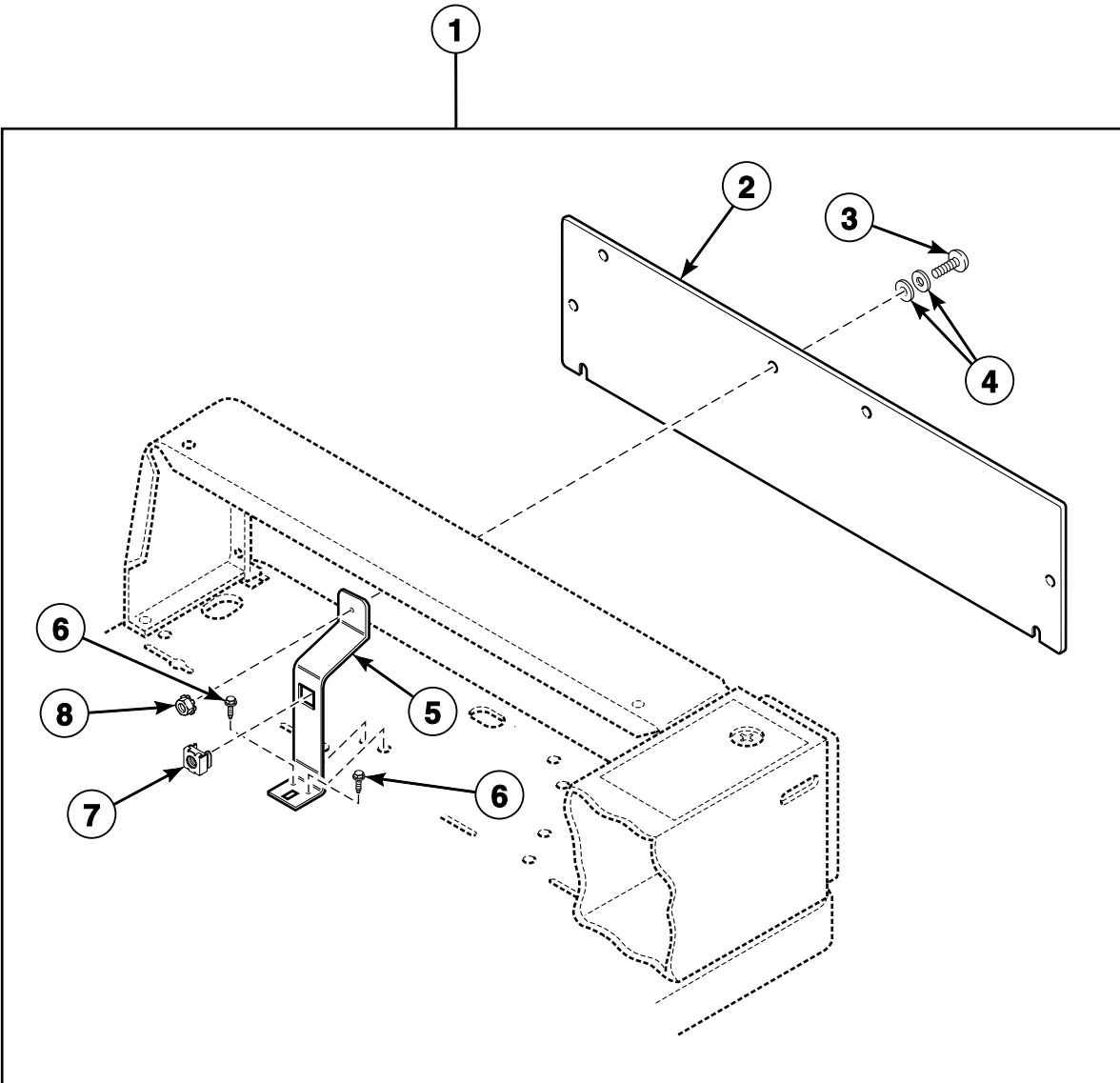


## Control Panel, Control Hood and Controls (Drawing 11 of 11)

REF	PART NO.	DESCRIPTION	COMMENTS
	202829	Options Label	Spanish
	NK201	Network Retrofit Kit	Wired
	NK220	Network Controller Kit	Wired
	NK301	Wireless Network Kit	
	NK320	Ethernet Gateway Kit	Wireless
	NK330	USB Gateway Kit	Wireless
<b>1</b>	501524	Screw	
<b>2</b>	200608	Washer	
<b>3</b>	210053	Control Shield	
<b>4</b>	202820P	Control Assembly	Models HWNLY2HP112CW01, SWNLY2AP112TW01 and SWNLY2HP112TW01
	202391P	Control Assembly	All other models
<b>5</b>	511478	Central Pay Harness	
<b>6</b>	800680	Diagnostic Wire Harness Assembly	
<b>7</b>	503661	Screw	Model SWNLY2SP302NW22
<b>8</b>	210100	Resistor	Model SWNLY2SP302NW22
<b>9</b>	210143	Rear Panel	
<b>10</b>	501086	Screw	
<b>11</b>	210142W	Control Hood	
<b>12</b>	803527P	Transformer	Model SWNLY2SP302NW22
	201375P	Transformer	Some models may have jumper wire attached to transformer. Discard jumper wire when replacing transformer.; All other models
<b>13</b>	M413507	Jumper Configuration Assembly	
<b>14</b>	803637	Pressure Switch	Service only switch; Models HWNLY2HP112CW01, SWNLY2AP112TW01 and SWNLY2HP112TW01
	803638P	Pressure Switch	All other models
<b>15</b>	23962	Screw	
<b>16</b>	201789	Pressure Switch Bracket	
<b>17</b>	500316	Warning Label	Models HWNLY2HP112CW01 and HWNLY2SP112CW01
	505281	Disconnect Power Warning Label	All other models
<b>18</b>	210108W	End Cap	Right
<b>19</b>	202469	Control Panel Bumper	
	M400795	Bumper	Extra thick
<b>20</b>	202418	Control Overlay	Models HWNLY2HP112CW01 and HWNLY2SP112CW01
	202415	Control Overlay	All other models
<b>21</b>	202309	Control Sticker Overlay	French/English; Models HWNLY2HP112CW01 and HWNLY2SP112CW01
<b>22</b>	210109W	End Cap	Left
<b>23</b>	52864	Screw	
<b>24</b>	210137W	Control Panel Assembly	

# Control Hood Security Kit

Models BWNBC2PP112TW01, BWNBX2PP112TW01, BWNBX2PP302AW01, HWNBC2PP112TQ01, HWNBC2PP112TW01, HWNBD2SP112CQ01, HWNBD2SP112CW01, HWNBE2SP112CW01, HWNBX1SP122DW01, HWNBX1SP542DW01, HWNBX2SP112CW01, HWNBX2SP112FW28, HWNLE2AP112CW01, HWNLE2HP112CW01, HWNLE2SP112CW01, HWNLX1SP122DW01, HWNLX1SP542DW01, HWNLX2HP112CW01, HWNLX2SP112CW01, NWNBX2SP302NW22, SWNBC2PP112TQ01, SWNBC2PP112TW01, SWNBC2PP112TW02, SWNBC2SP112TQ01, SWNBC2SP112TW01, SWNBX1SP122DW01, SWNBX1SP542DW01, SWNBX2PP112TW02, SWNBX2SP082JW01, SWNBX2SP112FW27, SWNBX2SP112TQ01, SWNBX2SP112TW01, SWNBX2SP302AW01, SWNBX2SP302NQ22, SWNBX2SP302NW22, SWNLC2AP112TW01, SWNLC2AP112TW02, SWNLC2HP112TW01, SWNLC2HP112TW02, SWNLC2PP112TW01, SWNLC2PP112TW02, SWNLC2SP112TQ01, SWNLC2SP112TW01, SWNLC2SP112TW02, SWNLX1SP122DW01, SWNLX1SP542DW01, SWNLX1SP542NW23, SWNLX2AP112TW02, SWNLX2HP112TW01, SWNLX2HP112TW02, SWNLX2PP112TW02, SWNLX2SP112TW01, SWNLX2SP112TW02 and SWNLX2SP302AW01



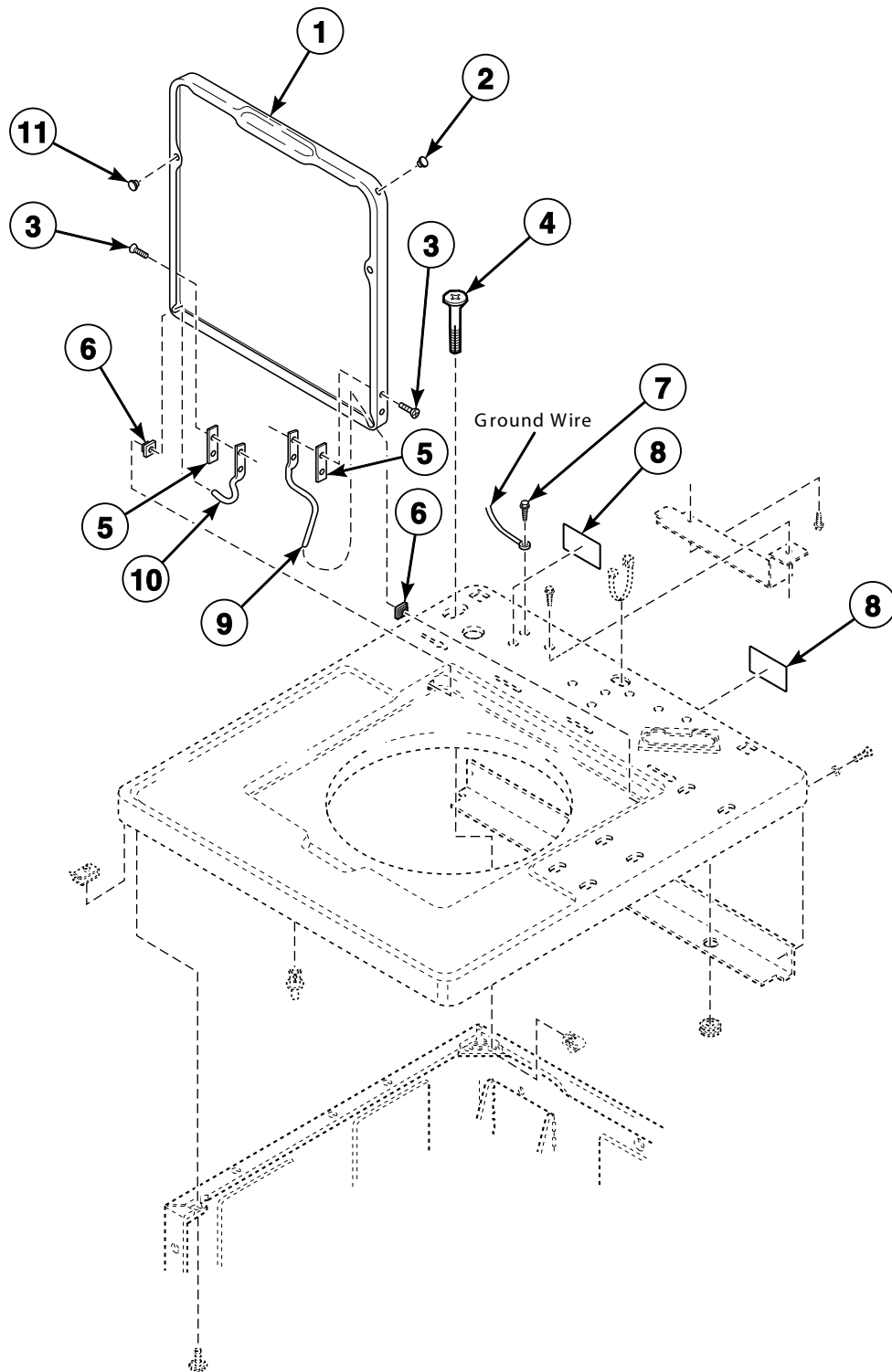
FLW963P\_202731

## Control Hood Security Kit

REF	PART NO.	DESCRIPTION	COMMENTS
1	904P3	Security Kit	Includes items 2-8
2	201919	Rear Panel	
3	32184	Bolt	
4	25100	Washer	
5	201918	Bracket	
6	503688	Screw	
7	30647	Nut	
8	23951	Nut	

# Lid

All Models Except GWNSX1PP302EW09, HWNSX1SP302UW09 and SWNSX1SP302EW09



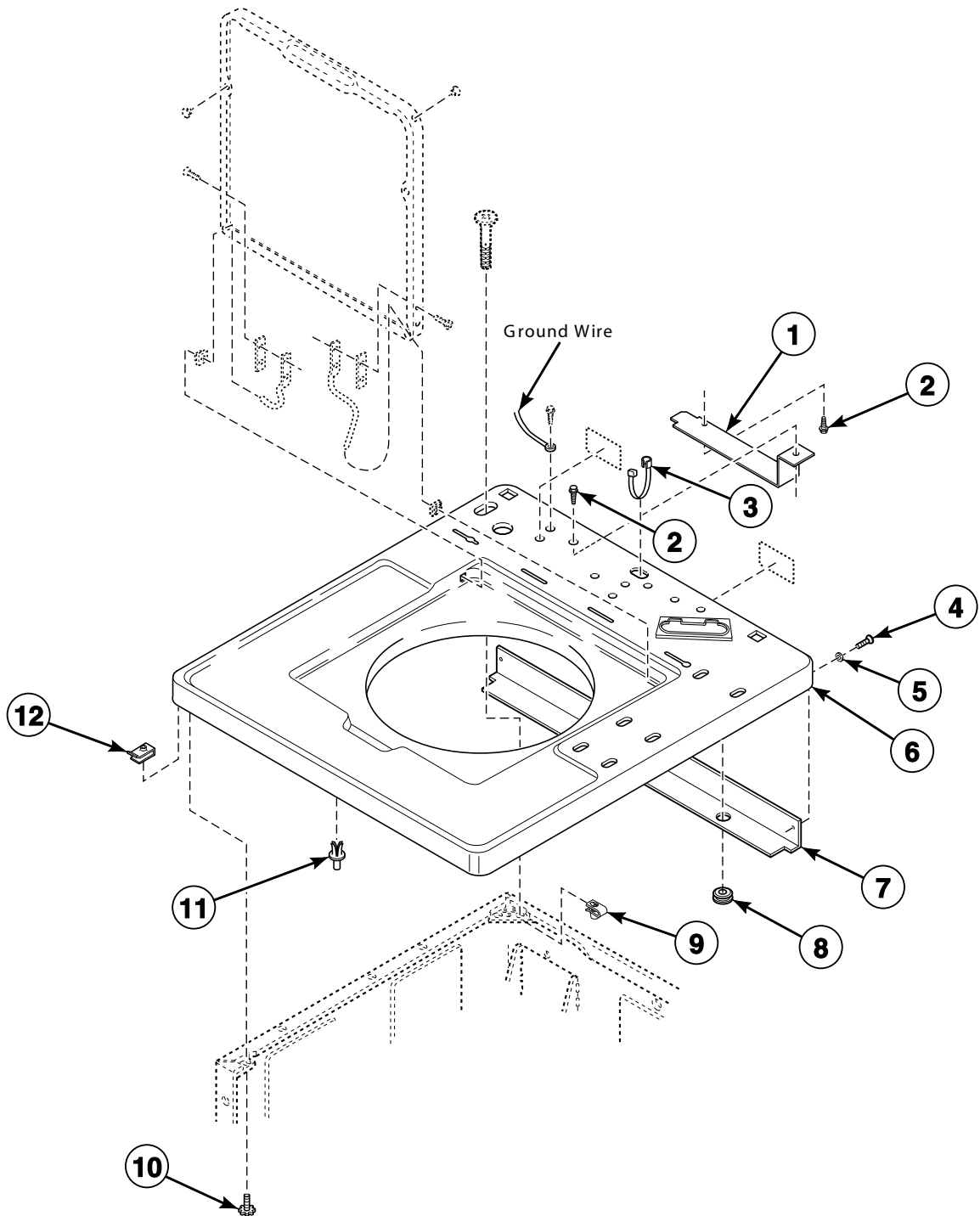
TLW1712P\_202731

# Lid

REF	PART NO.	DESCRIPTION	COMMENTS
1	201461Q	Lid	Model HWNBD2SP112CQ01
	201460QP	Lid and Carton Assembly	Models HWNBC2PP112TQ01, SWNBC2PP112TQ01, SWNBC2SP112TQ01, SWNBX2SP112TQ01, SWNBX2SP302NQ22 and SWNLC2SP112TQ01
	201761WP	Lid	Models BWNMN2PP112CW01, BWNSX2PP112CW01, HWNBD2SP112CW01, HWNBE2SP112CW01, HWNBX2SP112CW01, HWNBY2SP112CW01, HWNLE2AP112CW01, HWNLE2HP112CW01, HWNLE2SP112CW01, HWNLX2HP112CW01, HWNLX2SP112CW01, HWNLY2HP112CW01, HWNLY2SP112CW01, HWNMN2SP112CW01, HWNSX1SP112CW01, HWNSX2SP112CW01 and UWNMN2SP112CW01
	200891W	Lid	Models HWNBX1SP122DW01, HWNBX1SP542DW01, HWNLX1SP122DW01, HWNLX1SP542DW01, SWNBX1SP122DW01, SWNBX1SP542DW01, SWNLX1SP122DW01, SWNLX1SP542DW01, SWNSX1SP302BW01 and SWNSX1SP302UW01
	201760QP	Lid	Bisque; Models HWNSX1PP112TQ01, HWNSX2PP112TQ01, SWNSX1PP112TQ01, SWNSX1SP112TQ01, SWNSX2PP112TQ01 and SWNSX2SP112TQ01
	201760WP	Lid	White; All other models
2	34153	Lid Plug	
3	34337	Screw	
4	503673	Screw	Optional; For added security
5	34338	Hinge Gasket	
6	33446	Bushing	
7	52909	Screw	
8	500316	Warning Label	Models BWNMN2PP112CW01, BWNSX2PP112CW01, HWNBD2SP112CQ01, HWNBD2SP112CW01, HWNBE2SP112CW01, HWNBX2SP112CW01, HWNBY2SP112CW01, HWNLE2AP112CW01, HWNLE2HP112CW01, HWNLE2SP112CW01, HWNLX2HP112CW01, HWNLX2SP112CW01, HWNLY2HP112CW01, HWNLY2SP112CW01, HWNMN2SP112CW01, HWNSX1SP112CW01, HWNSX2SP112CW01 and UWNMN2SP112CW01
	F8211201	Electrical Shock Label	Models HWNBX1SP122DW01, HWNBX1SP542DW01, HWNLX1SP122DW01, HWNLX1SP542DW01, SWNBX1SP122DW01, SWNBX1SP542DW01, SWNLX1SP122DW01, SWNLX1SP542DW01 and SWNSX1SP302UW01
	505281	Disconnect Power Warning Label	All other models
9	36437	Lid Hinge	Right
10	36438	Lid Hinge	Left
11	21685	Bumper	

# Cabinet Top

All Models Except GWNSX1PP302EW09, HWNSX1SP302UW09 and SWNSX1SP302EW09



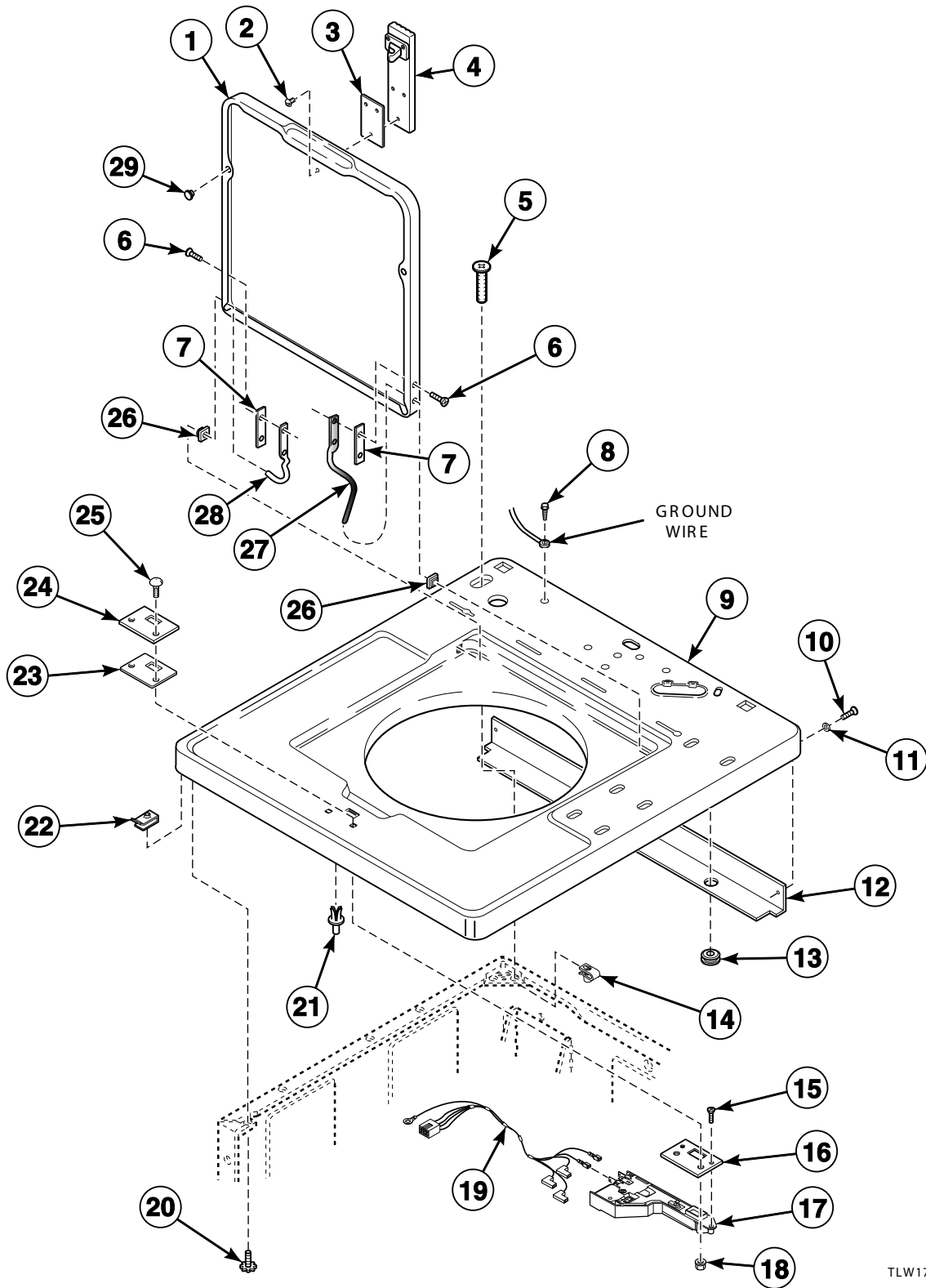
TLW1712PA\_202731

# Cabinet Top

REF	PART NO.	DESCRIPTION	COMMENTS
1	202083	Bracket	
2	23962	Screw	
3	38384	Strain Relief	
4	431287	Screw	Models BWNBX2PP302AW01, BWNMN2PP302AW01, GWNMN1PP302AW01, GWNMN2PP302AW01, GWNSX1PP302AW01, GWNSX2PP302AW01, SWNBX2SP302AW01, SWNLX2SP302AW01, SWNMN1SP302AW01, SWNSX1PP302AW01, SWNSX1SP302AW01, SWNSX1SP302BW01 and SWNSX1SP302UW01
5	39249	Washer	Models BWNBX2PP302AW01, BWNMN2PP302AW01, GWNMN1PP302AW01, GWNMN2PP302AW01, GWNSX1PP302AW01, GWNSX2PP302AW01, SWNBX2SP302AW01, SWNLX2SP302AW01, SWNMN1SP302AW01, SWNSX1PP302AW01, SWNSX1SP302AW01, SWNSX1SP302BW01 and SWNSX1SP302UW01
6	210173WP	Top Assembly	Models BWNBY2PP112TW01, BWNMN2PP112CW01, BWNMN2PP302AW01, GWNMN1PP302AW01, GWNMN2PP302AW01, GWNMN2PP112TW01, HWNBY2PP112TW01, HWNBY2SP112CW01, HWNLY2HP112CW01, HWNLY2SP112CW01, HWNMN2PP112TW01, HWNMN2SP112CW01, NWNMN1SP542NW22, NWNMN2SP302NW22, SWNBY2PP112TW01, SWNBY2SP112TW01, SWNLY2AP112TW01, SWNLY2HP112TW01, SWNLY2PP112TW01, SWNLY2SP112TW01, SWNLY2SP302NW22, SWNMN1SP302AW01, SWNMN1SP302NW22, SWNMN1SP302SW01, SWNMN2PP112TW01, SWNMN2SP112TW01, SWNMN2SP112TW08 and UWNMN2SP112CW01
	39339W	Top Assembly	Models SWNBX2SP082JW01 and SWNSX1SP302UW01
	39167QP	Top	Models HWNBC2PP112TQ01, HWNBD2SP112CQ01, HWNSX1PP112TQ01, HWNSX2PP112TQ01, SWNBC2PP112TQ01, SWNBC2SP112TQ01, SWNBX2SP112TQ01, SWNBX2SP302NQ22, SWNLC2SP112TQ01, SWNSX1PP112TQ01, SWNSX1SP112TQ01, SWNSX2PP112TQ01 and SWNSX2SP112TQ01
	39167WP	Top	All other models
7	39744	Top Shield	Models GWNMN1PP302AW01, GWNMN2PP302AW01, GWNSX1PP302AW01, GWNSX2PP302AW01, SWNBX2SP302AW01, SWNLX2SP302AW01, SWNMN1SP302AW01, SWNSX1PP302AW01, SWNSX1SP302AW01, SWNSX1SP302BW01 and SWNSX1SP302UW01
	202932	Top Shield	Models BWNBX2PP302AW01 and BWNMN2PP302AW01
8	80262	Grommet	Models BWNBX2PP302AW01, BWNMN2PP302AW01, GWNSX1PP302AW01, GWNSX2PP302AW01, SWNBX2SP302AW01, SWNLX2SP302AW01, SWNSX1PP302AW01, SWNSX1SP302AW01 and SWNSX1SP302BW01
9	27222	Nut	Optional; For added security
10	23008	Screw	
11	56534	Support Barrel	
12	36020	Nut	

# Lid, Lid Lock and Cabinet Top

Models GWNSX1PP302EW09, HWNSX1SP302UW09 and SWNSX1SP302EW09



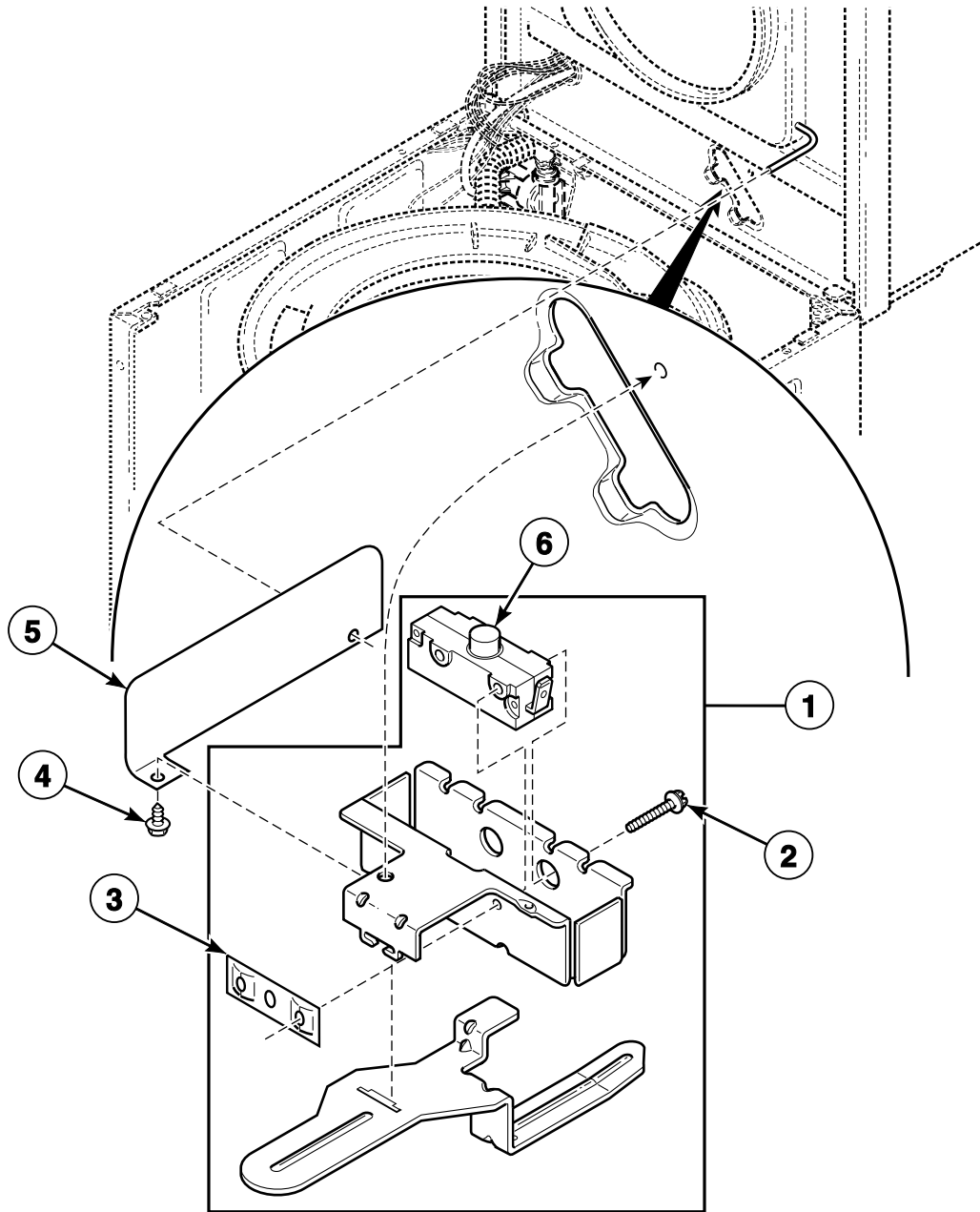
TLW1728P\_202731



## Lid, Lid Lock and Cabinet Top

REF	PART NO.	DESCRIPTION	COMMENTS
	837P3	Lid Lock Kit	Includes items 4, 15 and 17
1	200892WP	Lid	
2	201415	Screw	
3	201414	Door Lock Spacer	
4	201307P	Lid Lock Catch Assembly	Includes item 3
5	503673	Screw	Optional; For added security
6	34337	Screw	
7	34338	Hinge Gasket	
8	52909	Screw	
9	39184WP	Top Assembly	
10	431287	Screw	
11	39249	Washer	
12	39744	Top Shield	
13	80262	Grommet	
14	27222	Nut	Optional; For added security
15	202623	Screw	
16	29676	Switch Mounting Plate	
17	202434	Lid Lock	
18	22001	Nut	
19	31973	Lid Lock Wire Harness Assembly	
20	23008	Screw	
21	56534	Support Barrel	
22	36020	Nut	
23	30378	Lid Lock Gasket	
24	37828P	Cover Plate	
25	32184	Bolt	
26	33446	Bushing	
27	36437	Lid Hinge	Right
28	36438	Lid Hinge	Left
29	21685	Bumper	

# Lid Switch

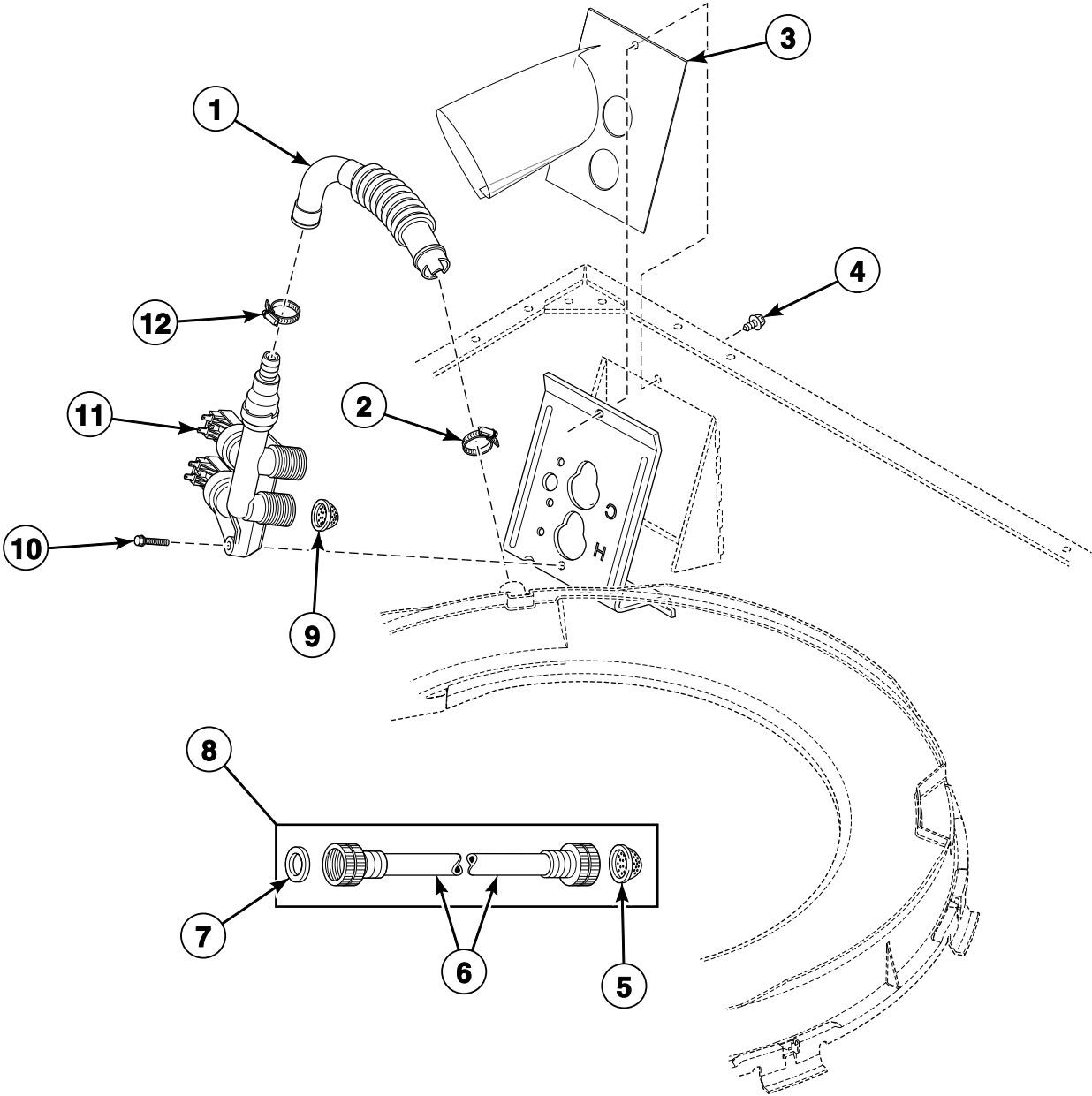


TLW1748P\_202731

# Lid Switch

REF	PART NO.	DESCRIPTION	COMMENTS
1	39256	Switch Assembly	Models GWNSX1PP302EW09, HWNSX1SP302UW09, SWNSX1SP302BW01, SWNSX1SP302EW09 and SWNSX1SP302UW01
	37631	Lid Switch Assembly	All other models
2	M402574	Screw	
3	M400981	Nut	
4	23962	Screw	
5	202697	Lid Switch Shield	Models BWNBX2PP302AW01, BWNMN2PP302AW01, HWNBX1SP122DW01, HWNBX1SP542DW01, HWNLX1SP122DW01, HWNLX1SP542DW01, SWNBX1SP122DW01, SWNBX1SP542DW01, SWNLX1SP122DW01 and SWNLX1SP542DW01
6	37830	Switch	Models GWNSX1PP302EW09, HWNSX1SP302UW09, SWNSX1SP302BW01, SWNSX1SP302EW09 and SWNSX1SP302UW01
	33445	Switch	All other models

# Fill Hose, Mixing Valve-to-Tub Cover Hose and Mixing Valve



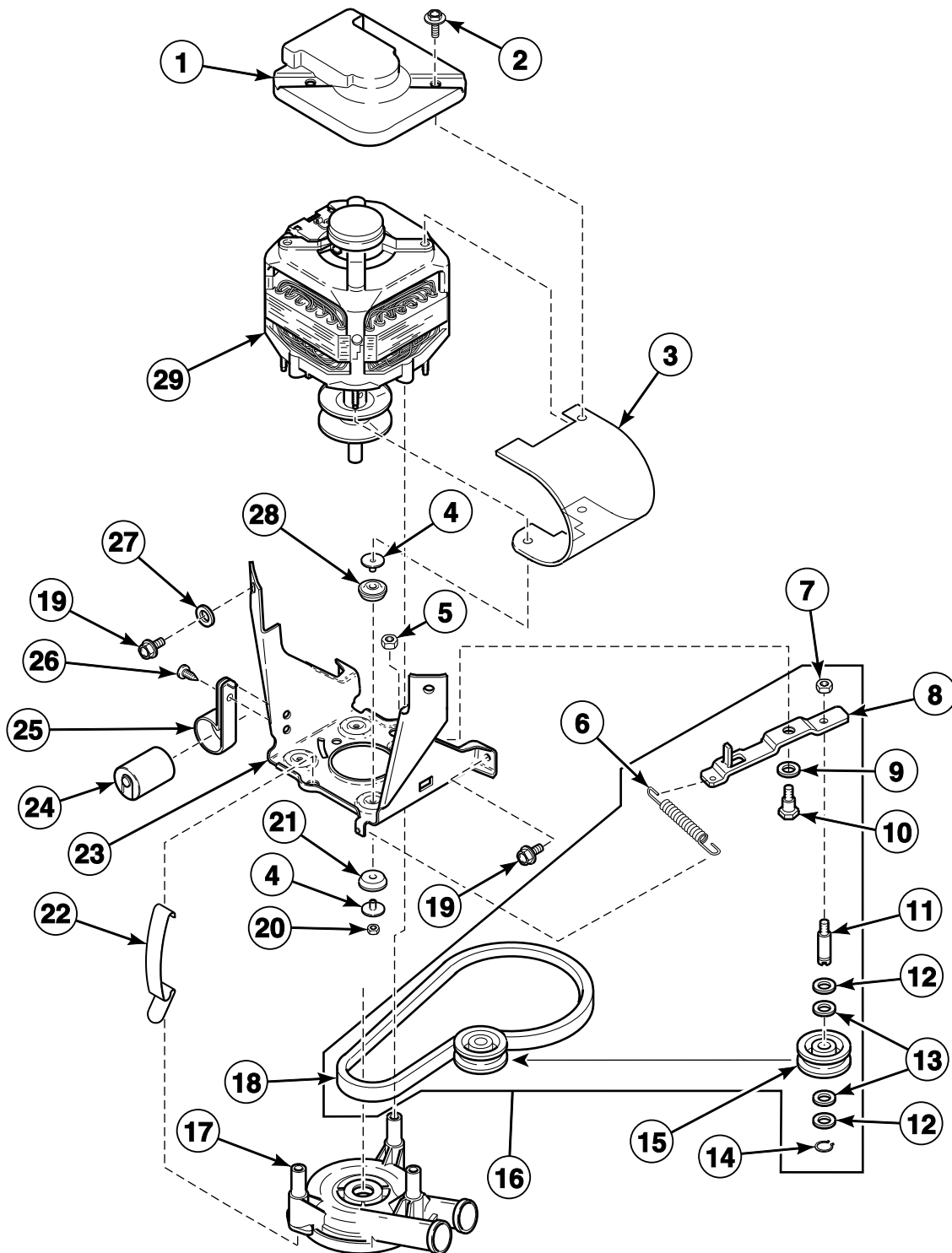
TLW1755P\_202731

# Fill Hose, Mixing Valve-to-Tub Cover Hose and Mixing Valve

REF	PART NO.	DESCRIPTION	COMMENTS
1	202472	Mixing Valve-to-Tub Cover Hose	
2	800803	Hose Clamp	
3	202899	Shield	Models BWNBX2PP302AW01 and BWNMN2PP302AW01
4	33562	Screw	
5	803615	Washer	Filter screen
	802254	Washer	Flow restrictor; Water pressure reducer; Available for water pressure up to but not exceeding 120 psi
6	202799	Fill Hose	Models HWNBX1SP122DW01, HWNBX1SP542DW01, HWNLX1SP122DW01, HWNLX1SP542DW01, SWNBX1SP122DW01, SWNBX1SP542DW01, SWNLX1SP122DW01 and SWNLX1SP542DW01
	202800	Fill Hose	Models BWNBX2PP302AW01 and BWNMN2PP302AW01
	20617	Fill Hose	8 feet; 2 U.S. standard thread hose couplings; All other models
	20618	Fill Hose	10 feet; 2 U.S. standard thread hose couplings; All other models
	37380	Fill Hose	8 feet; 1 U.S. standard thread and 1 metric thread hose coupling; All other models
	37381	Fill Hose	10 feet; 1 U.S. standard thread and 1 metric thread hose coupling; All other models
7	20290	Washer	
8	F200116	Water Hose	5 feet; Includes items 5-7; 2 U.S. standard thread hose couplings; All models except HWNBX1SP122DW01, HWNBX1SP542DW01, HWNLX1SP122DW01, HWNLX1SP542DW01, SWNBX1SP122DW01, SWNBX1SP542DW01, SWNLX1SP122DW01 and SWNLX1SP542DW01
	38349P	Fill Hose Kit	5 feet; Includes 2 of item 7; 1 U.S. standard thread and 1 metric thread hose coupling; All models except HWNBX1SP122DW01, HWNBX1SP542DW01, HWNLX1SP122DW01, HWNLX1SP542DW01, SWNBX1SP122DW01, SWNBX1SP542DW01, SWNLX1SP122DW01 and SWNLX1SP542DW01
9	24122	Mixing Valve Screen	
10	39397	Screw	
11	202396	Mixing Valve	Models GWNMN1PP302AW01, GWNMN2PP302AW01, GWNSX1PP302AW01, GWNSX1PP302EW09, GWNSX2PP302AW01, HWNBX1SP542DW01, HWNLX1SP542DW01, HWNSX1SP302UW09, NWNBX2SP302NW22, NWNMN1SP542NW22, NWNMN2SP302NW22, NWNSX2SP302NW22, SWNBX1SP542DW01, SWNBX2SP302AW01, SWNBX2SP302NQ22, SWNBX2SP302NW22, SWNLX1SP542DW01, SWNLX1SP542NW23, SWNMN1SP302AW01, SWNMN1SP302NW22, SWNMN1SP302SW01, SWNSX1PP302AW01, SWNSX1SP302AW01, SWNSX1SP302BW01, SWNSX1SP302EW09 and SWNSX1SP302SW01
	202395P	Mixing Valve	All other models
12	36801	Hose Clamp	

# Motor, Belt, Pump and Idler Assembly (Drawing 1 of 4)

Models GWNSX1PP302EW09, HWNSX1SP302UW09, SWNSX1SP302EW09 and SWNSX1SP302UW01



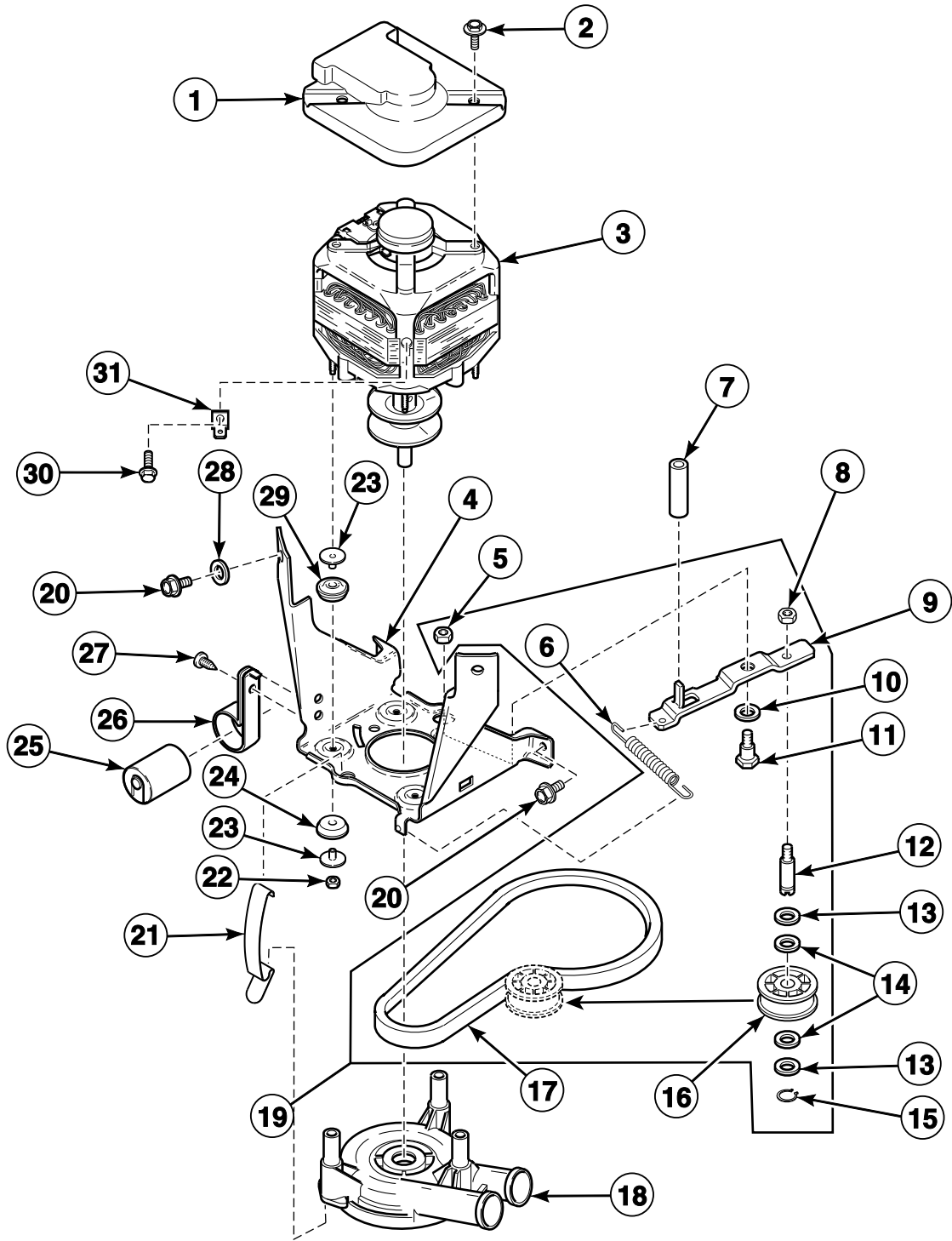
TLW1730P\_202731

## Motor, Belt, Pump and Idler Assembly (Drawing 1 of 4)

REF	PART NO.	DESCRIPTION	COMMENTS
1	34754	Motor Shield	
2	36639	Screw	
3	36965	Motor Side Shield	
4	38325	Isolator Post	
5	52566	Nut	
6	201189	Idler Lever Spring	
	202032	Idler Lever Spring	Use on units experiencing low RPM
7	28803	Nut	
8	38011	Idler Lever	
9	81392	Washer	
10	27229	Screw	
11	210186	Idler Shaft	
12	504082	Washer	
13	52549	Washer	Nylatron
14	23748	Retaining Ring	
15	38225P	Idler Pulley	
16	202972	Idler Lever and Belt Kit	
17	201566P	Pump	
	201442P	Pump Assembly	Heavy duty
18	200923	Agitate and Spin Belt	
19	35369	Screw	
20	685846	Nut	
21	38396	Motor Mount	
22	210202	Spring Clip	
23	200941	Motor Mount Bracket	
24	39259P	Capacitor and Clamp Kit	
25	37535	Capacitor Clamp	
26	52909	Screw	
27	37772	Washer	
28	38395	Motor Mount	
29	835P3	Motor Kit	1 speed; 240 Volt/50 Hertz

# Motor, Belt, Pump and Idler Assembly (Drawing 2 of 4)

Models BWNBX2PP302AW01, BWNMN2PP302AW01, GWNMN1PP302AW01, GWNMN2PP302AW01, GWNSX1PP302AW01, GWNSX2PP302AW01, SWNBX2SP302AW01, SWNLX2SP302AW01, SWNLY2SP302NW22, SWNMN1SP302AW01, SWNMN1SP302SW01, SWNSX1PP302AW01, SWNSX1SP302AW01, SWNSX1SP302BW01 and SWNSX1SP302SW01



TLW1754P\_202731

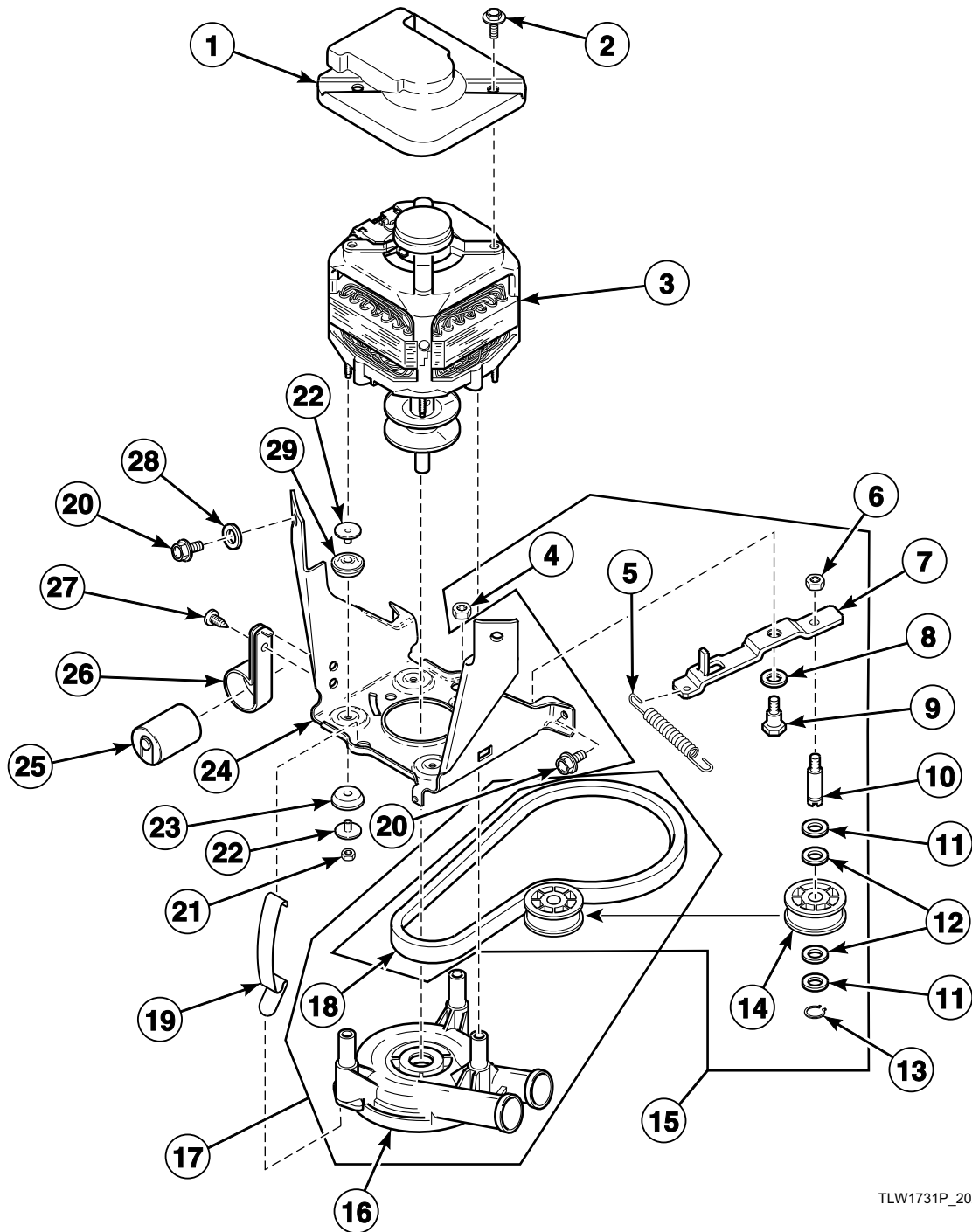


## Motor, Belt, Pump and Idler Assembly (Drawing 2 of 4)

REF	PART NO.	DESCRIPTION	COMMENTS
1	34754	Motor Shield	
2	36639	Screw	
3	201433P	Motor Kit	240 Volt/50 Hertz; 2 speed; Models BWNBX2PP302AW01, BWNMN2PP302AW01, GWNMN2PP302AW01, GWNSX2PP302AW01, SWNBX2SP302AW01, SWNLX2SP302AW01 and SWNLY2SP302NW22
	835P3	Motor Kit	240 Volt/50 Hertz; 1 speed; All other models
4	200941	Motor Mount Bracket	
5	52566	Nut	
6	201189	Idler Lever Spring	
	202032	Idler Lever Spring	Use on units experiencing low RPM
7	202333	Tube	Models BWNBX2PP302AW01, BWNMN2PP302AW01, SWNBX2SP302AW01, SWNLX2SP302AW01, SWNMN1SP302AW01, SWNMN1SP302SW01, SWNSX1PP302AW01, SWNSX1SP302AW01 and SWNSX1SP302SW01
8	28803	Nut	
9	38011	Idler Lever	
10	81392	Washer	
11	27229	Screw	
12	210186	Idler Shaft	
13	504082	Washer	
14	52549	Washer	Nylatron
15	23748	Retaining Ring	
16	38225P	Idler Pulley	
17	200923	Agitate and Spin Belt	
18	201566P	Pump	
	201442P	Pump Assembly	Heavy duty
19	202972	Idler Lever and Belt Kit	
20	35369	Screw	
21	210202	Spring Clip	
22	685846	Nut	
23	38325	Isolator Post	
24	38396	Motor Mount	
25	39259P	Capacitor and Clamp Kit	All models except BWNMN2PP302AW01, SWNLX2SP302AW01 and SWNLY2SP302NW22
26	37535	Capacitor Clamp	All models except BWNMN2PP302AW01, SWNLX2SP302AW01 and SWNLY2SP302NW22
27	52909	Screw	All models except BWNMN2PP302AW01, SWNLX2SP302AW01 and SWNLY2SP302NW22
28	37772	Washer	
29	38395	Motor Mount	
30	20530	Screw	
31	00177	Male Tab Terminal	

# Motor, Belt, Pump and Idler Assembly (Drawing 3 of 4)

All Models Except GWNMN1PP302AW01, GWNMN2PP302AW01, GWNSX1PP302AW01, GWNSX1PP302EW09, GWNSX2PP302AW01, HWNSX1SP302UW09, SWNBX2SP302AW01, SWNLX2SP302AW01, SWNLY2SP302NW22, SWNMN1SP302AW01, SWNMN1SP302SW01, SWNSX1PP302AW01, SWNSX1SP302AW01, SWNSX1SP302BW01, SWNSX1SP302EW09, SWNSX1SP302SW01 and SWNSX1SP302UW01



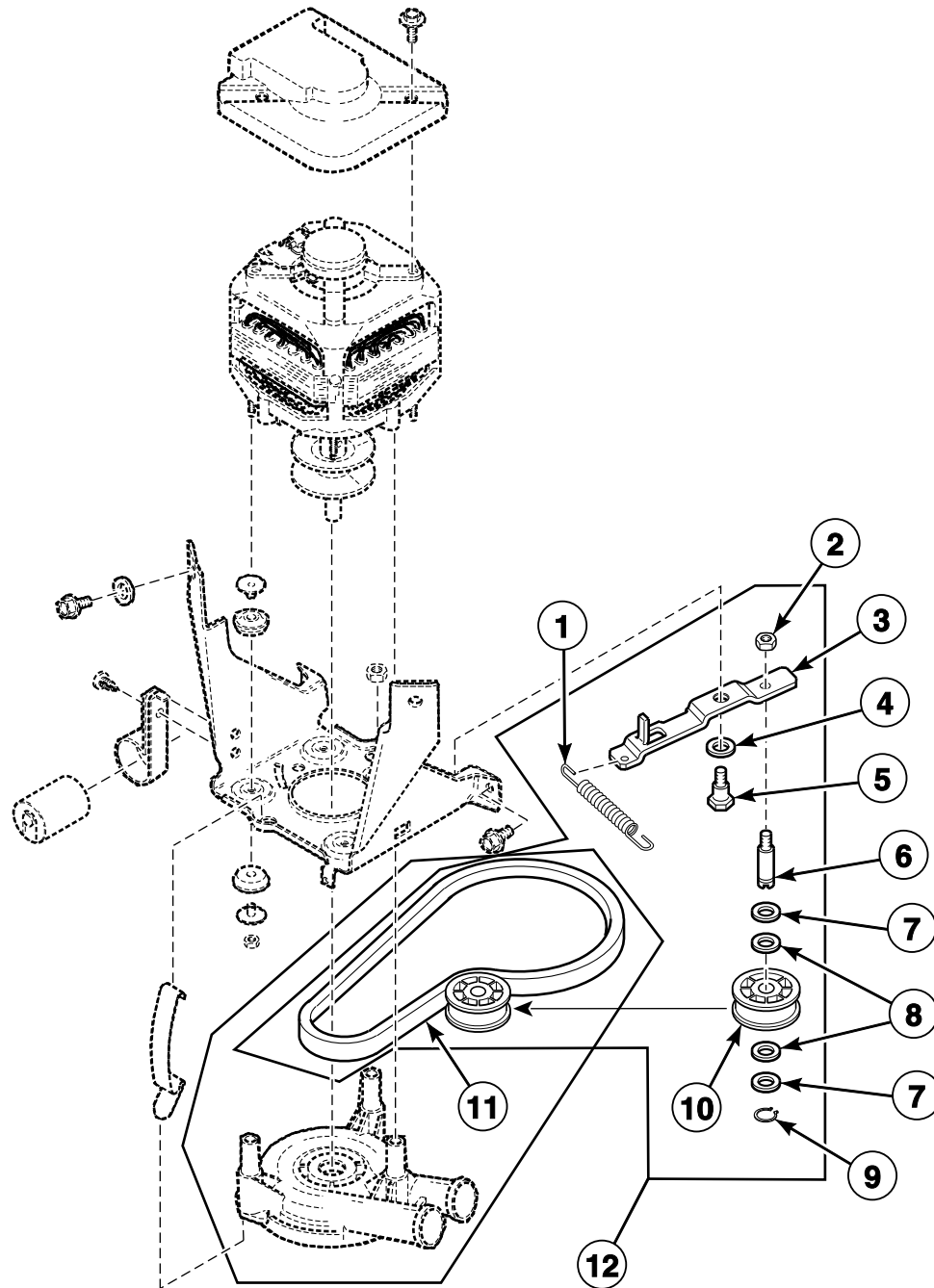
TLW1731P\_202731

## Motor, Belt, Pump and Idler Assembly (Drawing 3 of 4)

REF	PART NO.	DESCRIPTION	COMMENTS
1	34754	Motor Shield	
2	36639	Screw	
3	38035P	Motor Kit	115 Volt/60 Hertz; 1 speed; Models HWNSX1PP112TQ01, HWNSX1PP112TW01, HWNSX1SP112CW01, SWNSX1PP112TQ01, SWNSX1PP112TW01, SWNSX1SP112TQ01 and SWNSX1SP112TW01
	35030P	Motor Assembly	240 Volt/60 Hertz; 1 speed; Models HWNBX1SP542DW01, HWNLX1SP542DW01, NWNMN1SP542NW22, SWNBX1SP542DW01, SWNLX1SP542DW01, SWNLX1SP542NW23 and SWNSX1SP542NW22
	202457	Motor Assembly	Models HWNBX1SP122DW01, HWNLX1SP122DW01, SWNBX1SP122DW01 and SWNLX1SP122DW01
	835P3	Motor Kit	240 Volt/50 Hertz; 1 speed; Models SWNMN1SP302NW22 and SWNSX1SP302NW22
	201433P	Motor Kit	240 Volt/50 Hertz; 2 speed; Models NWNBX2SP302NW22, NWNMN2SP302NW22, NWNSX2SP302NW22, SWNBX2SP302NQ22 and SWNBX2SP302NW22
	38034P	Motor Kit	2 speed; All other models
4	52566	Nut	
5	201189	Idler Lever Spring	
	202032	Idler Lever Spring	Use on units experiencing low RPM
6	28803	Nut	
7	38011	Idler Lever	
8	81392	Washer	
9	27229	Screw	
10	210186	Idler Shaft	Included in item 15
11	504082	Washer	
12	52549	Washer	Nylatron
13	23748	Retaining Ring	
14	38225P	Idler Pulley	
15	959P3	Idler Lever Kit	Includes items 4-14 (201189 Idler Lever Spring) and 18 (38174 Belt)
16	201566P	Pump	
	201442P	Pump Assembly	Heavy duty
17	RB150003	Belt and Pump Kit	Includes items 16 and 18 (38174 Belt)
18	200923	Agitate and Spin Belt	Models NWNBX2SP302NW22, NWNMN2SP302NW22, NWNSX2SP302NW22, SWNBX2SP302NQ22, SWNBX2SP302NW22, SWNMN1SP302NW22 and SWNSX1SP302NW22
	38174	Agitate and Spin Belt	All other models
19	210202	Spring Clip	
20	35369	Screw	
21	35423	Nut	
22	38325	Isolator Post	
23	38396	Motor Mount	
24	200941	Motor Mount Bracket	
25	39259P	Capacitor and Clamp Kit	Models SWNMN1SP302NW22 and SWNSX1SP302NW22
	37377	Capacitor	All models except HWNBX1SP542DW01, HWNLX1SP542DW01, NWNBX2SP302NW22, NWNMN1SP542NW22, NWNMN2SP302NW22, NWNSX2SP302NW22, SWNBX1SP542DW01, SWNBX2SP302NQ22, SWNBX2SP302NW22, SWNLX1SP542DW01, SWNMN1SP302NW22, SWNSX1SP302NW22 and SWNSX1SP542NW22
26	37535	Capacitor Clamp	All models except HWNBX1SP542DW01, HWNLX1SP542DW01, SWNBX1SP542DW01 and SWNLX1SP542DW01
27	52909	Screw	
28	37772	Washer	
29	38395	Motor Mount	

# Motor, Belt, Pump and Idler Assembly (Drawing 4 of 4)

All Models Except GWNMN1PP302AW01, GWNMN2PP302AW01, GWNSX1PP302AW01, GWNSX1PP302EW09, GWNSX2PP302AW01, HWNSX1SP302UW09, SWNBX2SP302AW01, SWNLX2SP302AW01, SWNLY2SP302NW22, SWNMN1SP302AW01, SWNMN1SP302SW01, SWNSX1PP302AW01, SWNSX1SP302AW01, SWNSX1SP302BW01, SWNSX1SP302EW09, SWNSX1SP302SW01 and SWNSX1SP302UW01

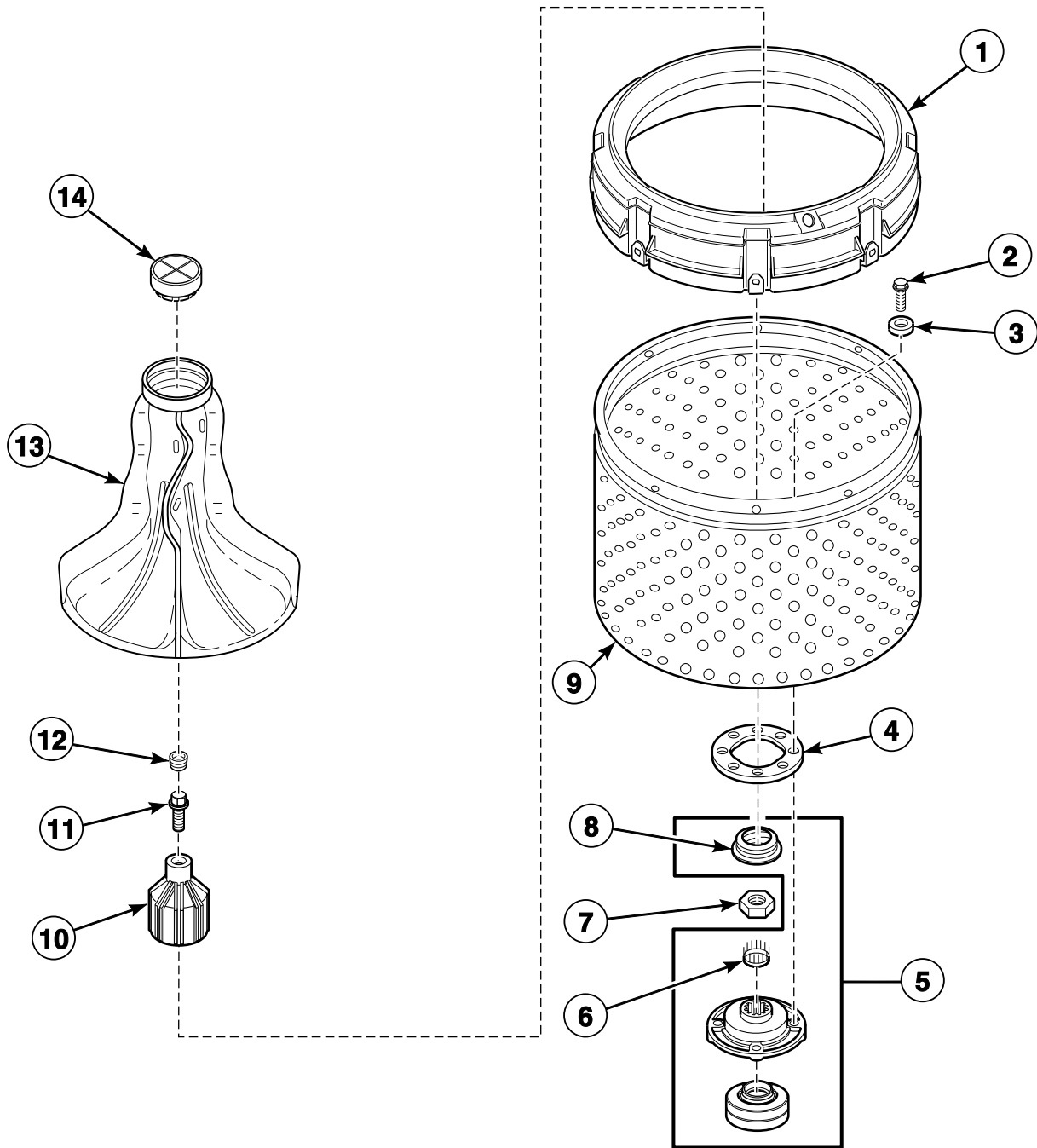


TLW1731PA\_202731

## Motor, Belt, Pump and Idler Assembly (Drawing 4 of 4)

REF	PART NO.	DESCRIPTION	COMMENTS
1	201189	Idler Lever Spring	
	202032	Idler Lever Spring	Use on units experiencing low RPM
2	28803	Nut	
3	38011	Idler Lever	
4	81392	Washer	
5	27229	Screw	
6	210186	Idler Shaft	Included in item 15
7	504082	Washer	
8	52549	Washer	Nylatron
9	23748	Retaining Ring	
10	38225P	Idler Pulley	
11	200923	Agitate and Spin Belt	Models NWNBX2SP302NW22, NWNMN2SP302NW22, NWNSX2SP302NW22, SWNBX2SP302NQ22, SWNBX2SP302NW22, SWNMN1SP302NW22 and SWNSX1SP302NW22
	38174	Agitate and Spin Belt	All other models
12	202972	Idler Lever and Belt Kit	

# Agitator, Drive Bell, Hub and Lip Seal Kit and Washtub

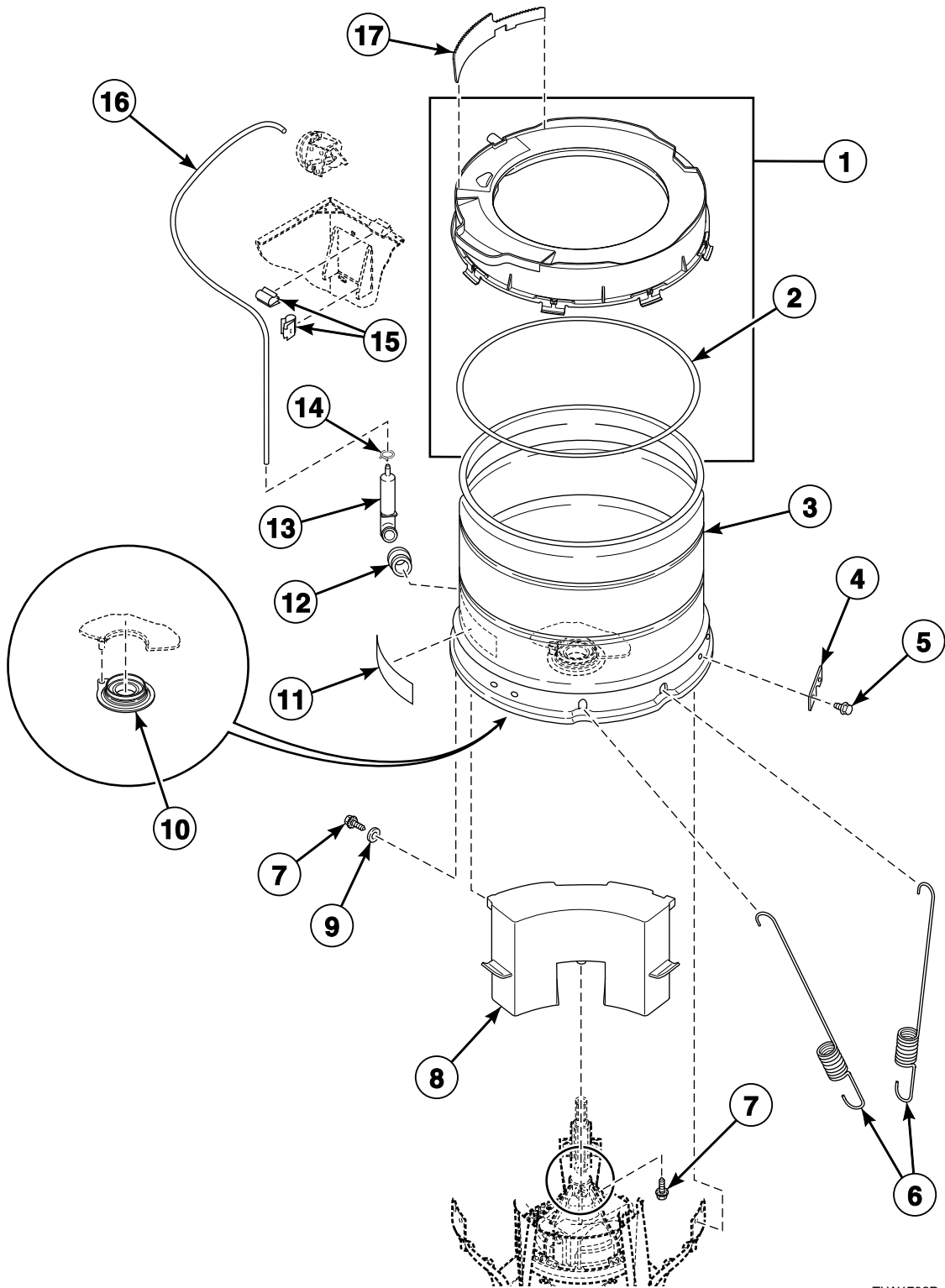


TLW1483P\_202731

# Agitator, Drive Bell, Hub and Lip Seal Kit and Washtub

REF	PART NO.	DESCRIPTION	COMMENTS
1	39837	Balance Ring Assembly	
2	27202	Screw	
3	28094	Washer	Rubber; Use with porcelain washtub
4	39122	Washtub Gasket	
5	766P3A	Hub and Lip Seal Kit	DO NOT use any sealant other than 200996P Sealant; Includes item 10 and installation tool
	200996P	Sealant	Use with hub and lip seal kit
6	29728	Spline Insert	
7	29220	Nut	
8	36425	Bell and Transmission Tube Seal	
	36765P	Grease	Use with bell and transmission tube seal
9	39250P	Tub Kit	Blue porcelain; Models BWNBC2PP112TW01, BWNBX2PP112TW01, BWNBX2PP302AW01, BWNBY2PP112TW01, BWNMN2PP112CW01, BWNMN2PP302AW01, BWNSX2PP112CW01, GWNMN1PP302AW01, GWNMN2PP302AW01, GWNMN2PP112TW01, GWNSX1PP302AW01, GWNSX1PP302EW09, GWNSX2PP112TW01, GWNSX2PP302AW01, HWNBC2PP112TQ01, HWNBC2PP112TW01, HWNBY2PP112TW01, HWNMN2PP112TW01, HWNSX1PP112TQ01, HWNSX1PP112TW01, HWNSX2PP112TQ01, HWNSX2PP112TW01, SWNBC2PP112TQ01, SWNBC2PP112TW01, SWNBC2PP112TW02, SWNBX2PP112TW02, SWNBY2PP112TW01, SWNLC2PP112TW01, SWNLC2PP112TW02, SWNLX2PP112TW02, SWNLY2PP112TW01, SWNMN2PP112TW01, SWNSX1PP112TQ01, SWNSX1PP112TW01, SWNSX1PP302AW01, SWNSX2PP112TQ01, SWNSX2PP112TW01 and SWNSX2PP112TW02
	39252P	Tub Assembly	Models HWNLE2AP112CW01, SWNLC2AP112TW01, SWNLC2AP112TW02, SWNLX2AP112TW02 and SWNLY2AP112TW01
	39387P	Tub Assembly	Models HWNLE2HP112CW01, HWNLX2HP112CW01, HWNLY2HP112CW01, SWNLC2HP112TW01, SWNLC2HP112TW02, SWNLX2HP112TW01, SWNLX2HP112TW02 and SWNLY2HP112TW01
	719P3	Washtub Kit	Stainless steel; All other models
10	39508P	Drive Bell and Seal Kit	Includes items 8, 11 and 12
11	39432	Screw	
12	36511	Bell Plug	
13	36507	Flex Vane Agitator	Models SWNMN1SP302SW01 and SWNSX1SP302SW01
	33174	Agitator	All other models
14	36515	Agitator Cap	

# Outer Tub, Cover, Bearing and Seal Housing, Pressure Hose and Counterweight



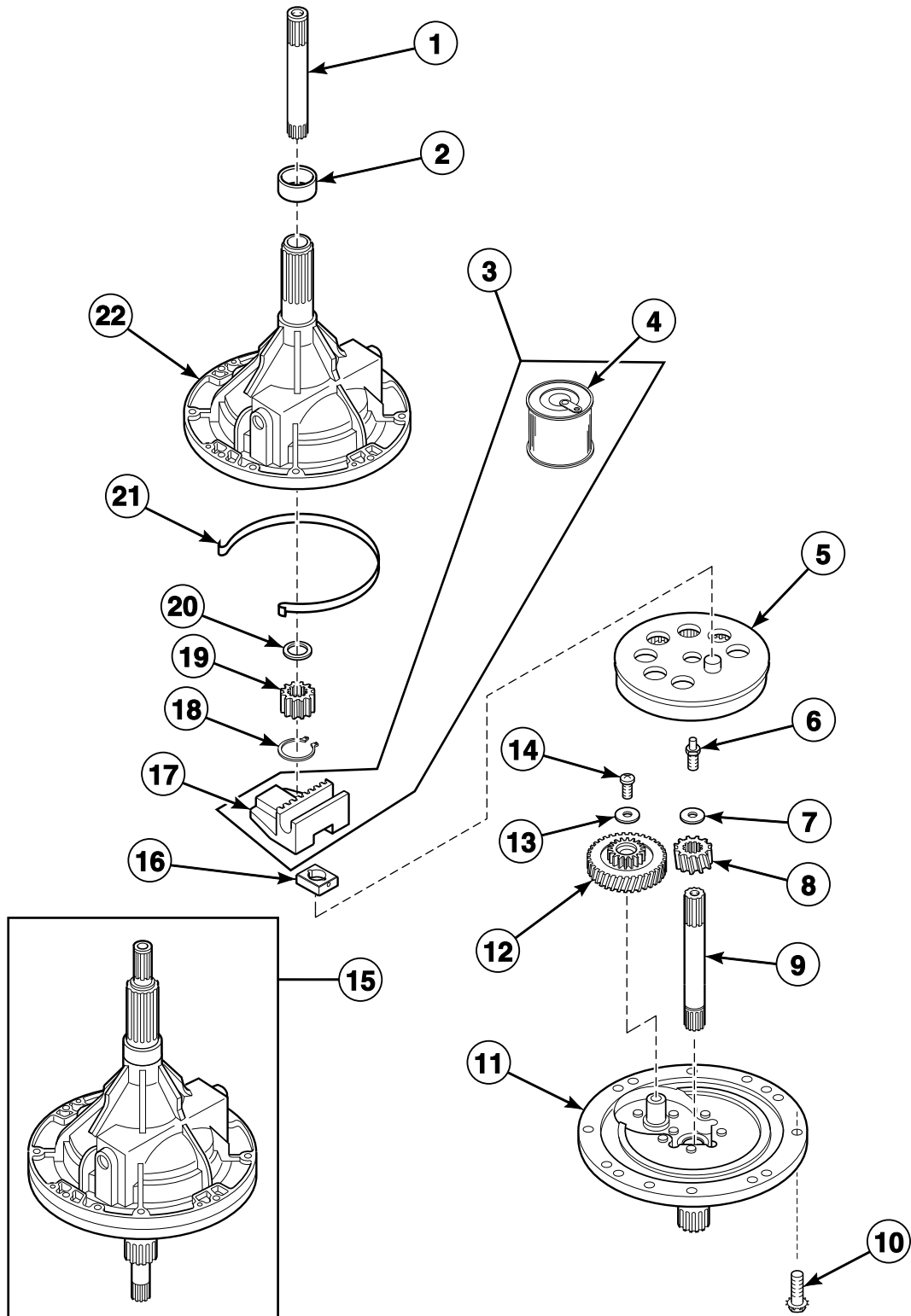
TLW1732P\_202731



## Outer Tub, Cover, Bearing and Seal Housing, Pressure Hose and Counterweight

REF	PART NO.	DESCRIPTION	COMMENTS
1	202461	Tub Cover Assembly	
2	38359	Tub Cover Gasket	
3	200510P	Outer Tub Assembly	Models HWNLE2HP112CW01, HWNLX2HP112CW01, HWNLY2HP112CW01, SWNLC2AP112TW01, SWNLC2AP112TW02, SWNLC2HP112TW01, SWNLC2HP112TW02, SWNLX2AP112TW02, SWNLX2HP112TW01, SWNLX2HP112TW02, SWNLY2AP112TW01 and SWNLY2HP112TW01
	200511P	Outer Tub Assembly	All other models
4	27926	Leg Plate	
5	35369	Screw	
6	201521	Leg Spring	Marked with green paint. Use to replace the two rear springs closest to counterweight; Models BWNBX2PP302AW01, GWNMN2PP302AW01, GWNSX2PP302AW01, NWNBX2SP302NW22, NWNMN2SP302NW22, NWNX2SP302NW22, SWNBX2SP302AW01, SWNBX2SP302NQ22, SWNBX2SP302NW22, SWNLX2SP302AW01 and SWNLY2SP302NW22
	37576	Leg Spring	Models HWNLE2HP112CW01, HWNLX2HP112CW01, HWNLY2HP112CW01, SWNLC2AP112TW01, SWNLC2AP112TW02, SWNLC2HP112TW01, SWNLC2HP112TW02, SWNLX2AP112TW02, SWNLX2HP112TW01, SWNLX2HP112TW02, SWNLY2AP112TW01 and SWNLY2HP112TW01
	37575	Leg Spring	All other models
7	39566	Screw	
8	38769	Counterweight Assembly	
9	39249	Washer	
10	766P3A	Hub and Lip Seal Kit	
	200996P	Sealant	Use with hub and lip seal kit
11	500314	Warning Label	Models BWNMN2PP112CW01, BWNSX2PP112CW01, HWNBD2SP112CQ01, HWNBD2SP112CW01, HWNBE2SP112CW01, HWNBX2SP112CW01, HWNBY2SP112CW01, HWNLE2AP112CW01, HWNLE2HP112CW01, HWNLE2SP112CW01, HWNLX2HP112CW01, HWNLX2SP112CW01, HWNLY2HP112CW01, HWNLY2SP112CW01, HWNMN2SP112CW01, HWNSX1SP112CW01, HWNSX2SP112CW01, SWNLC2AP112TW01, SWNLC2AP112TW02, SWNLC2HP112TW01, SWNLC2HP112TW02, SWNLX2AP112TW02, SWNLX2HP112TW01, SWNLX2HP112TW02, SWNLY2AP112TW01, SWNLY2HP112TW01 and UWNMN2SP112CW01
	F8211301	Pinched Fingers Label	Models GWNSX1PP302EW09, HWNBX1SP122DW01, HWNBX1SP542DW01, HWNLX1SP122DW01, HWNLX1SP542DW01, HWNSX1SP302UW09, SWNBX1SP122DW01, SWNBX1SP542DW01, SWNLX1SP122DW01, SWNLX1SP542DW01, SWNSX1SP302EW09 and SWNSX1SP302UW01
	500049	Warning Label	All other models
12	29175	Grommet	
13	30907	Pressure Bulb	
14	39282	Hose Clamp	
15	36985	Hose Clip	
16	202699	Tubing	Models HWNLE2HP112CW01, HWNLX2HP112CW01, HWNLY2HP112CW01, SWNLC2AP112TW01, SWNLC2AP112TW02, SWNLC2HP112TW01, SWNLC2HP112TW02, SWNLX2AP112TW02, SWNLX2HP112TW01, SWNLX2HP112TW02, SWNLY2AP112TW01 and SWNLY2HP112TW01
	202700	Tubing	All other models
17	202695P	Splash Shield	

# Transmission Assembly

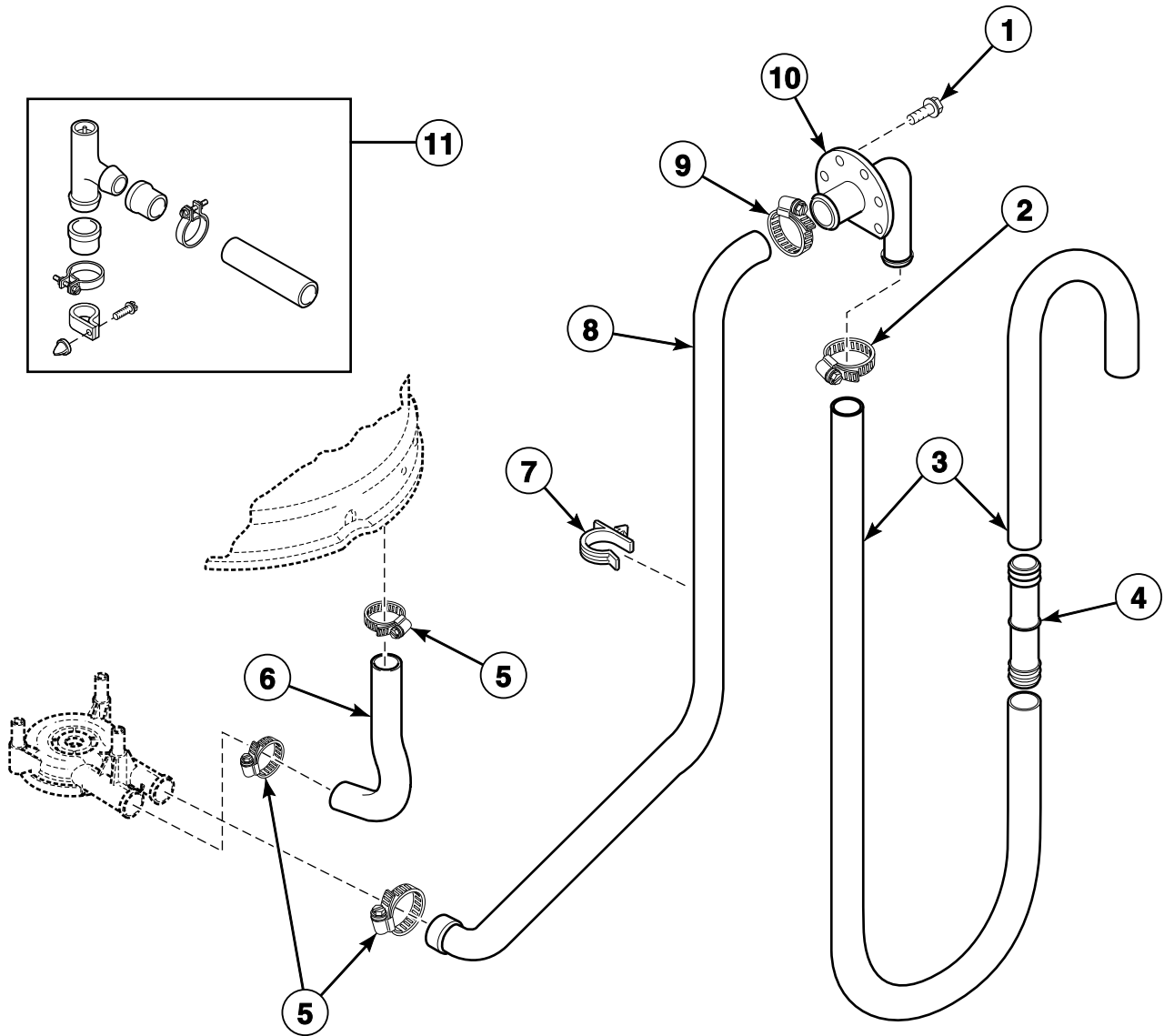


TLW1720P\_202731

# Transmission Assembly

REF	PART NO.	DESCRIPTION	COMMENTS
	27604P	Anti-Seize Compound	Apply to the smooth area of both the upper and lower transmission shafts
	37577P	Transmission Sealant	Use between transmission case and cover
1	36570P	Output Shaft	
2	201212	Hub Spacer	
3	RB150004	Transmission Rebuild Kit	Includes 37577P Transmission Sealant
4	27243P	Transmission Oil	1 fill
5	26577	Gear and Stud Assembly	
6	201773	Screw	
7	26509	Washer	
8	37405	Drive Pinion	
9	38268P	Input Shaft	
10	32814	Screw	
11	37471	Transmission Cover Assembly	
12	37404P	Reduction Gear	
13	29260	Washer	
14	29273	Screw	
15	38165P	Transmission Assembly	
16	26493	Slide	
17	201664	Rack	
18	27197	Retaining Ring	
19	27003	Agitator Pinion	
20	35092	Washer	
21	38864	Gear Sleeve	
22	33223P	Transmission Case Assembly	

# Drain Hoses and Siphon Break Kit

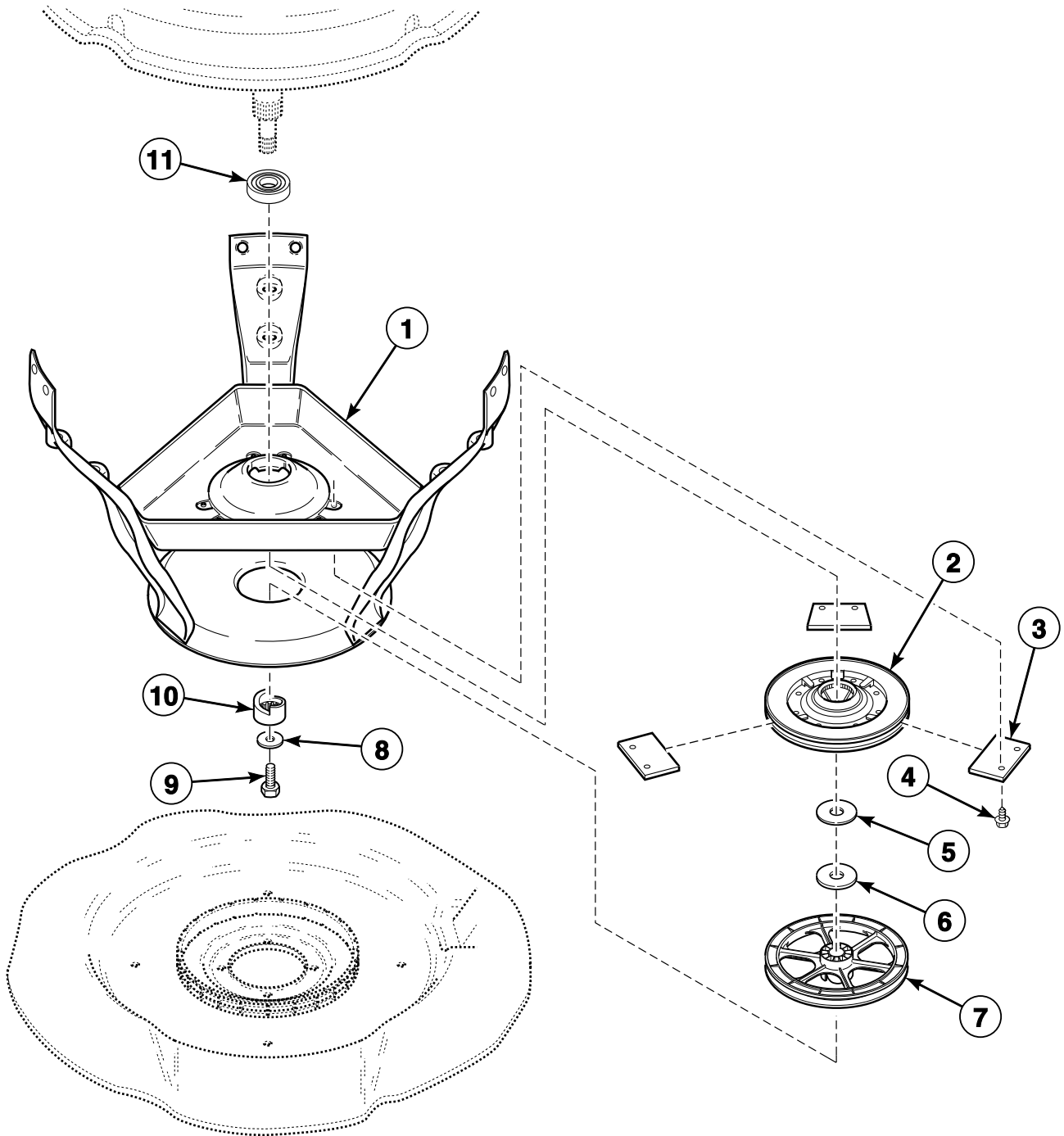


W354P\_202731

## Drain Hoses and Siphon Break Kit

REF	PART NO.	DESCRIPTION	COMMENTS
	451P3	Drain Extension Kit	Use with 20616 Drain Hose; Order by the foot as required
1	52909	Screw	
2	20211	Hose Clamp	
3	28293	Drain Hose	
4	25863	Hose Coupler	If drain hose must be shortened, cut hose between molded end and molded elbow; Use (1) 25863 Hose Coupler to splice hose
5	F200204	Hose Clamp	
6	38351	Tub-to-Pump Hose	
7	39177	Hose Retainer Clip	
8	38273	Pump-to-Drain Elbow Hose	
9	20391	Hose Clamp	
10	35766	Drain Hose Elbow	Models NWNBX2SP302NW22, SWNBX2SP302AW01, SWNBX2SP302NQ22, SWNBX2SP302NW22, SWNLX2SP302AW01 and SWNLY2SP302NW22
	36990	Drain Hose Elbow	All other models
11	562P3	Siphon Break Kit	Siphon break kit must be installed in drain hose if drain receptacle is lower than cabinet top of washer

# Weldment and Bearing Assembly, Brake and Pulley

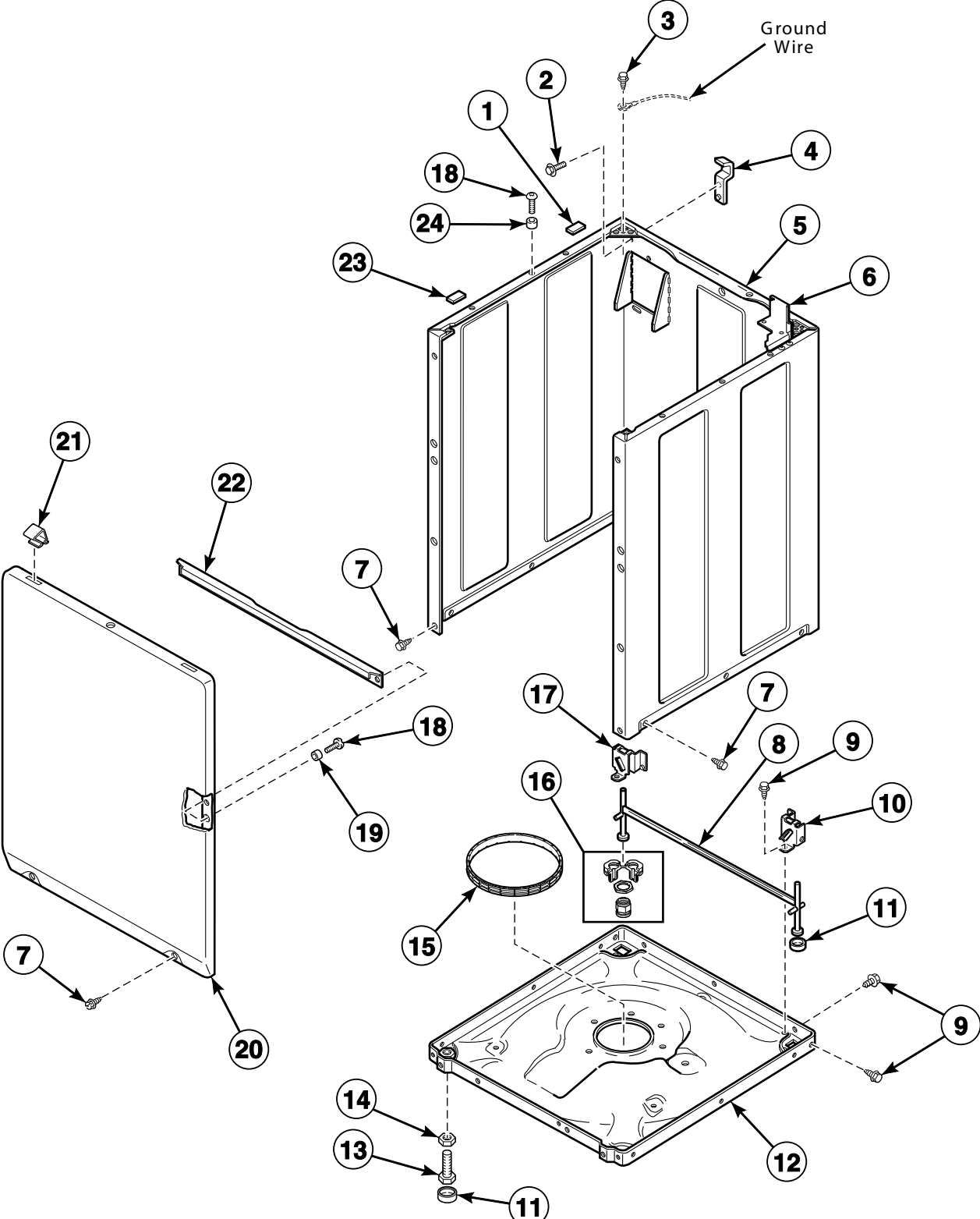


W333P\_202731

## Weldment and Bearing Assembly, Brake and Pulley

REF	PART NO.	DESCRIPTION	COMMENTS
1	39254	Weldment and Bearing Assembly	Models HWNLE2AP112CW01, HWNLE2HP112CW01, HWNLX2HP112CW01, HWNLY2HP112CW01, SWNLC2AP112TW01, SWNLC2AP112TW02, SWNLC2HP112TW01, SWNLC2HP112TW02, SWNLX2AP112TW02, SWNLX2HP112TW01, SWNLX2HP112TW02, SWNLY2AP112TW01 and SWNLY2HP112TW01
	39253	Weldment and Bearing Assembly	All other models
2	38505P	Brake Kit	
3	735P3	Brake Pad Kit	Includes 3 pads
	26594P	Silicone Grease	Apply small amount to each new brake pad
4	39739	Screw	
5	35535	Washer	Thin
6	27015	Washer	Thick
7	202795	Pulley	
8	26509	Washer	
9	27220	Screw	
10	38008	Helix	
11	28944RP	Lower Bearing	

# Front Panel, Base Assembly and Cabinet Kit



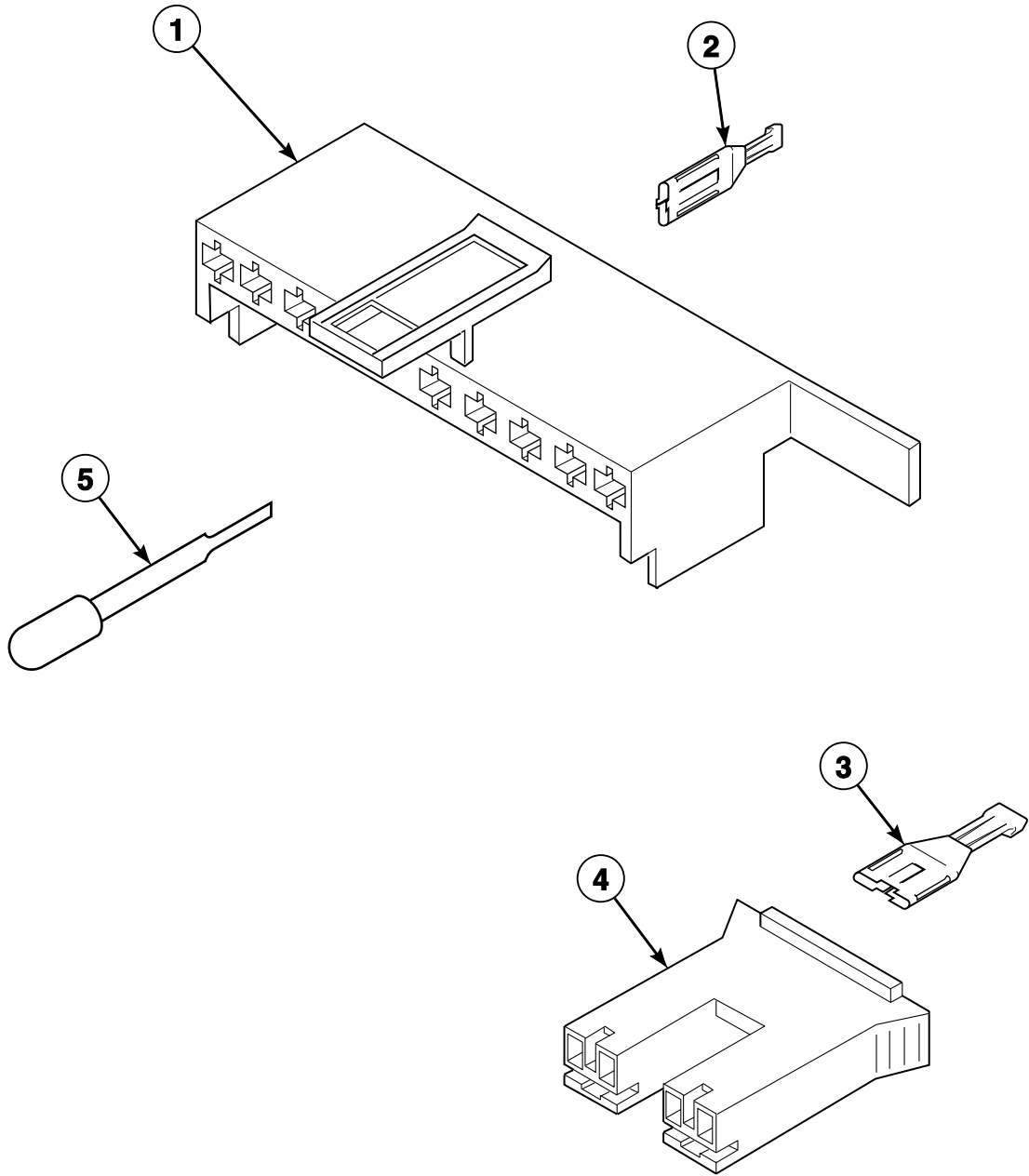
TLW1619P\_202731



## Front Panel, Base Assembly and Cabinet Kit

REF	PART NO.	DESCRIPTION	COMMENTS
	122P4P	Porcelain Touch-Up Paint	White
	370P4P	Porcelain Touch-Up Paint	Bisque
1	36226	Bumper Pad	
2	501524	Screw	
3	52909	Screw	
4	27103	Hold-Down Lug Hinge	
5	38612WP	Service Cabinet Kit	White
	38612QP	Service Cabinet Kit	Bisque
6	35867	Meter Case Mounting Bracket Assembly	
7	27196	Screw	Slotted hex head
	431287	Screw	Torx head
8	34443	Leg and Stabilizer Assembly	
9	35148	Screw	
10	36036	Bracket	Right
11	34318	Rubber Foot	
12	39788	Base Assembly	
13	34319	Leveling Leg	
14	21899	Nut	
15	37937	Friction Ring	
16	566P3	Adjustable Leg Extension Kit	Provides adjustment capabilities to rear self-leveling legs
17	36037	Bracket	Left
18	39733	Screw	
19	28102	Panel Locator	
20	38335WP	Front Panel	White
	38335QP	Front Panel	Bisque
21	35865	Hold-Down Clip	
22	35097	Front Panel Brace	
23	56128	Bumper Pad	
24	56079	Panel Locator	

# Mixing Valve and Motor Disconnect Blocks, Terminals and Terminal Extractor Tool

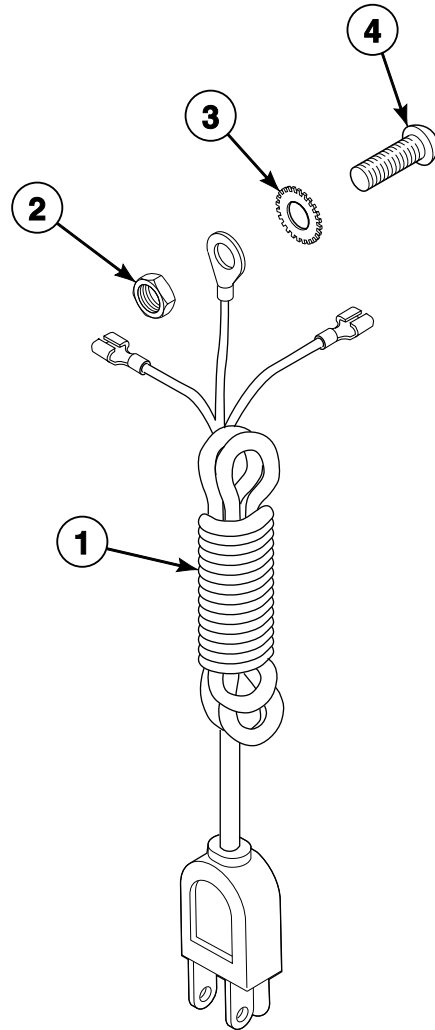


W134PZ3A\_202731

## Mixing Valve and Motor Disconnect Blocks, Terminals and Terminal Extractor Tool

REF	PART NO.	DESCRIPTION	COMMENTS
1	34677	10 Circuit Plug	Motor
2	00188	Female Terminal	For 1 or 2 wire application
3	00121	Female Spade Terminal	1/4 inch
4	34675	Mixing Valve Plug	Natural
	34676	Mixing Valve Plug	Red
5	283P4	Terminal Extractor Tool	

# Lead-In Cord

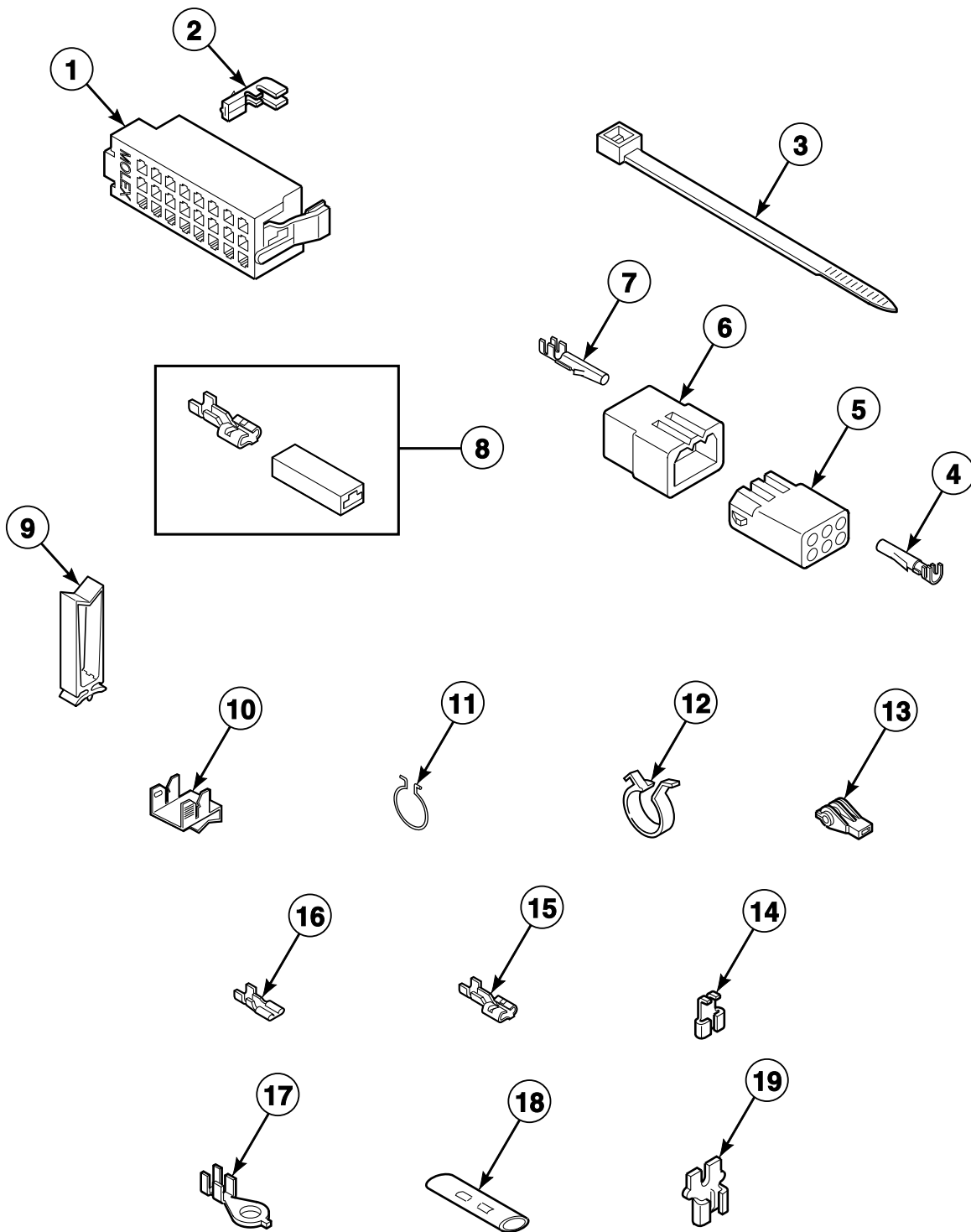


TLW1089P\_202731

# Lead-In Cord

REF	PART NO.	DESCRIPTION	COMMENTS
1	38362P	Lead-In Cord	Models NWNBX2SP302NW22, NWNMN1SP542NW22, NWNMN2SP302NW22, NWNSX2SP302NW22, SWNBX2SP302NQ22, SWNBX2SP302NW22, SWNLY2SP302NW22, SWNMN1SP302NW22, SWNMN1SP302SW01, SWNSX1SP302NW22, SWNSX1SP302SW01 and SWNSX1SP542NW22
	38363	Lead-In Cord	Model SWNLX1SP542NW23
	39931	Power Cord Assembly	Models BWNBX2PP302AW01, BWNMN2PP302AW01, GWNMN1PP302AW01, GWNMN2PP302AW01, GWNSX1PP302AW01, GWNSX2PP302AW01, SWNBX2SP302AW01, SWNLX2SP302AW01, SWNMN1SP302AW01, SWNSX1PP302AW01 and SWNSX1SP302AW01
	39984	Power Cord Assembly	Model SWNSX1SP302BW01
	39925	Power Cord Assembly	Models GWNSX1PP302EW09 and SWNSX1SP302EW09
	39926	Lead-In Cord	Models HWNSX1SP302UW09 and SWNSX1SP302UW01
	201439	Lead-In Cord	Model SWNBX2SP112FW27
	202624	Power Cord Assembly	Model SWNBX2SP082JW01
	804556	Lead-In Cord Assembly	Models HWNBX1SP122DW01, HWNBX1SP542DW01, HWNLX1SP122DW01, HWNLX1SP542DW01, SWNBX1SP122DW01, SWNBX1SP542DW01, SWNLX1SP122DW01 and SWNLX1SP542DW01
	34458	Lead-In Cord	All other models
2	03673	Nut	
3	21735	Washer	
4	20267	Screw	

# Terminals

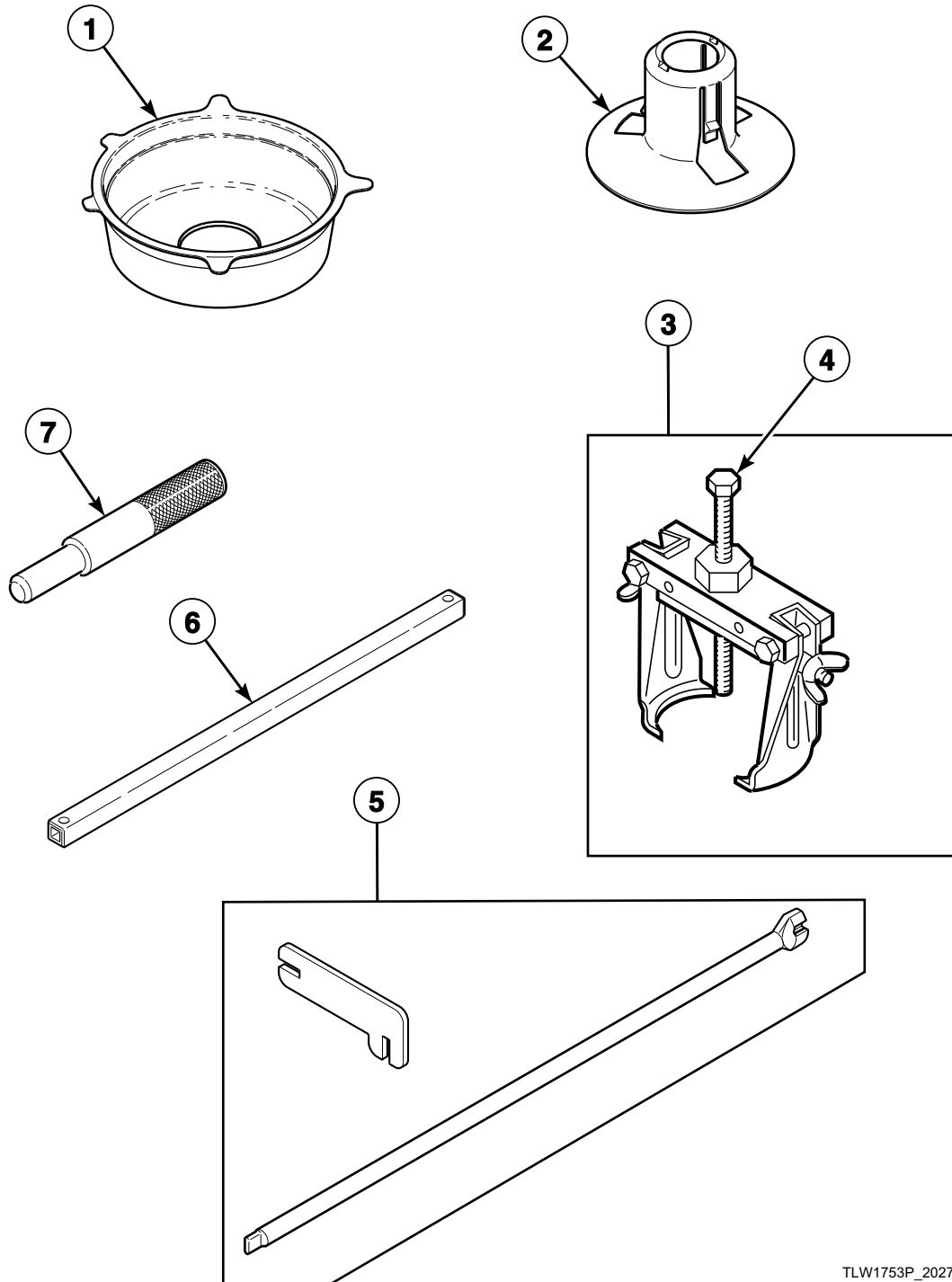


TLW1645P\_202731

# Terminals

REF	PART NO.	DESCRIPTION	COMMENTS
1	32746	24 Position Housing	Right; Black
	34123	24 Position Housing	Left; White
2	00188	Female Terminal	Used for 1 or 2 wire application
3	55881	Harness Strap	4 inches
	M405829	Cable Tie	Push-mount; 6.13 inches
4	00117	Female Pin Terminal	
5	26301	1 Circuit Receptacle	
	26708	6 Circuit Receptacle	
	26163	9 Circuit Receptacle	
6	26302	1 Circuit Plug	
	23041	6 Circuit Plug	
	23033	9 Circuit Plug	
7	00116	Male Pin Terminal	
8	00359	Insulated Female Spade Terminal	
9	36274	Wire Clip	
10	00161	Grounding Clip	
11	51291	Wire Clip	
12	504034	Wire Clip	
13	70210	Insulator	
14	00120	Female Flag Terminal	
15	00223	Female Spade Terminal	Large spade
16	00112	Female Spade Terminal	Small spade
17	00110	Ring Terminal	Small shank
18	21091	Connector	
19	F140562	Connector	

# Shipping Materials and Special Tools



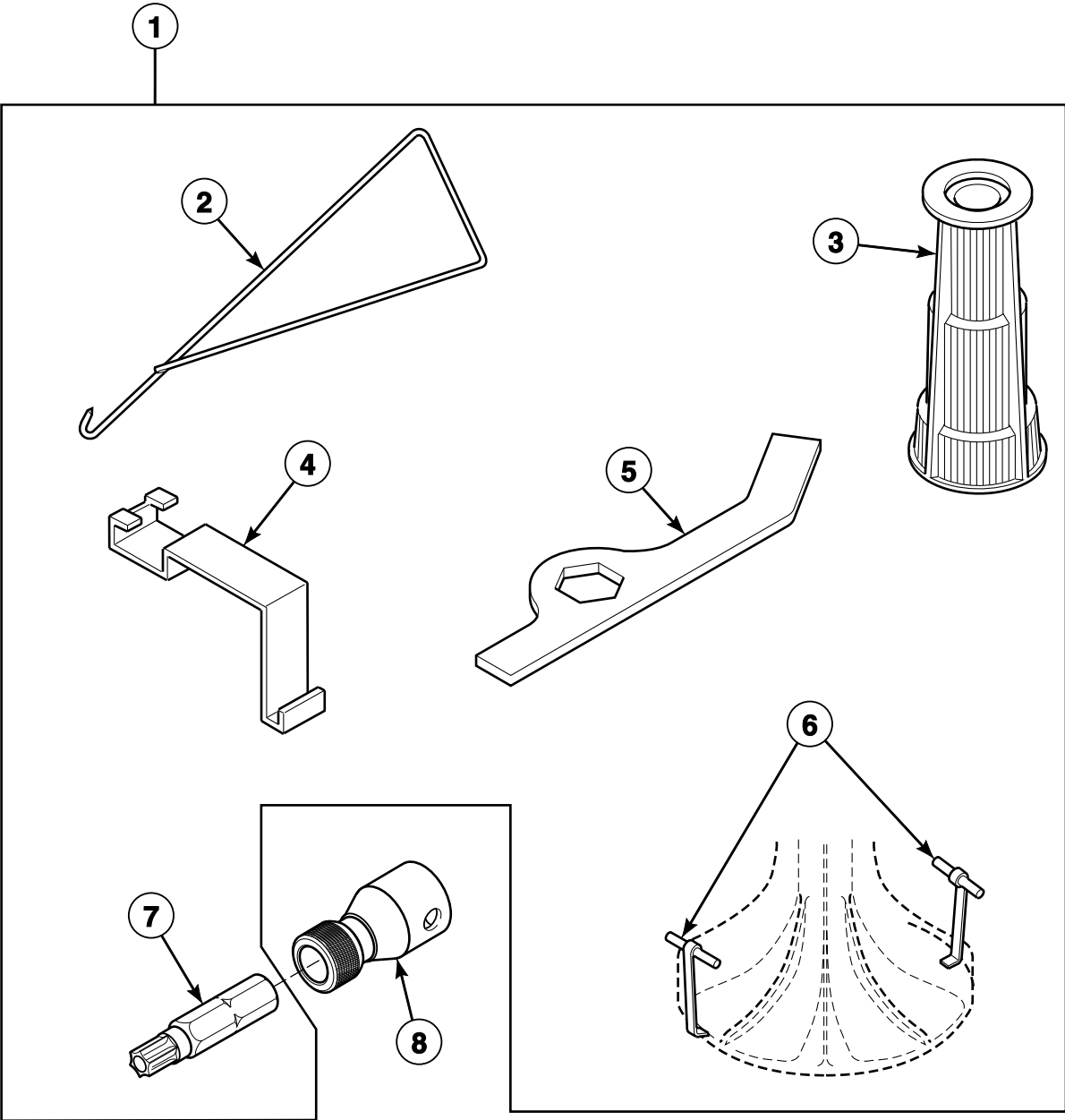
TLW1753P\_202731



## Shipping Materials and Special Tools

REF	PART NO.	DESCRIPTION	COMMENTS
1	200552	Shipping Brace	Install whenever moving washer; Remove before use
2	38149	Shipping Plug	Install whenever moving washer; Remove before use
3	294P4	Agitator Drive Bell Puller	For removal and installation of drive bell to transmission shaft
4	294P4B	Bolt	
5	CK096	Mounting Tool Kit	Use to install and remove electronic coin drops
6	310P4	Ratchet Extension Tool	1/4 inch; Use to install and remove non-electronic coin drops
7	305P4	Transmission Pin Tool	Use pin tools in place of dowel pins when reassembling transmission cover and case; 2 required

# Special Tools



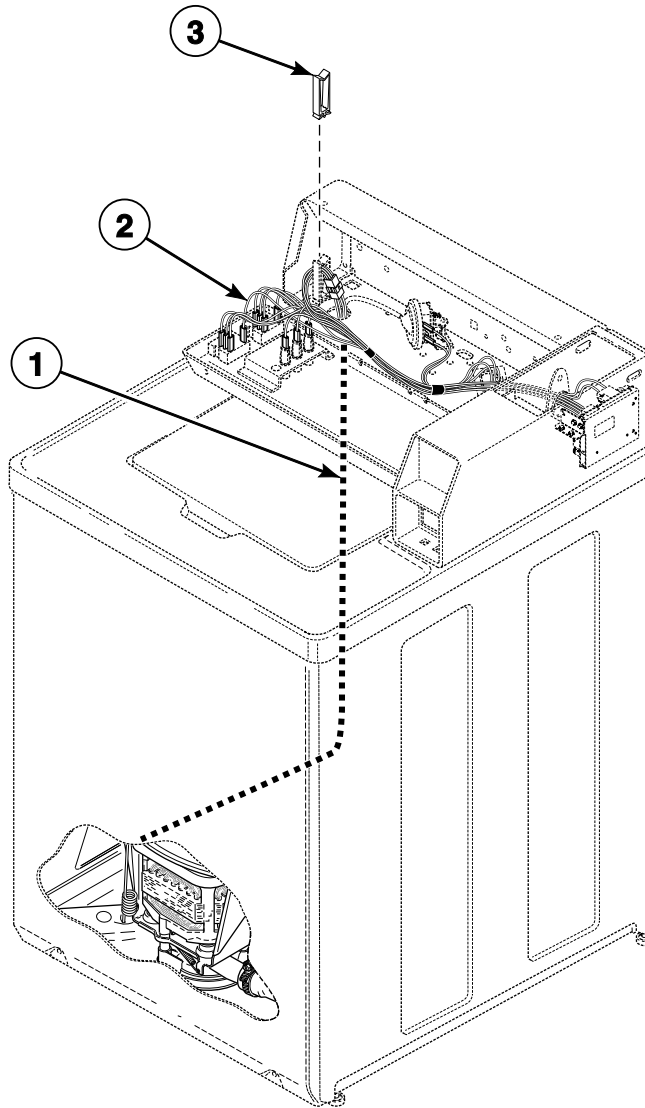
TLW1649P\_202731

## Special Tools

REF	PART NO.	DESCRIPTION	COMMENTS
1	725P3	Tool Kit	Includes items 2-7
2	321P4	Spring Hook Tool	For removal of centering springs from outer tub
3	293P4	Drive Bell Seal Tool	For installation of 36426 Bell and Transmission Tube Seal
4	273P4	Tub Cover Removal Tool	Use to install 38359 Tub Cover Gasket in outer tub cover
5	306P4	Hex Wrench Tool	For removal of locknut from washtub hub
6	254P4P	Agitator Hook	Use to remove agitator from drive bell; Set of 2
7	281P4	Torx Bit	T15; For removal and installation of control hood security screws
	282P4	Torx Bit	T25; For removal and installation of front panel security screws
8	24161	Bit Holder	3/8 inch drive

## Wire Harnesses and Wires (Drawing 1 of 2)

Models BWNMN2PP112CW01, BWNMN2PP302AW01, BWNSX2PP112CW01, GWNMN1PP302AW01, GWNMN2PP302AW01, GWNMN2PP112TW01, GWNSX1PP302AW01, GWNSX1PP302EW09, GWNSX2PP112TW01, GWNSX2PP302AW01, HWNMN2PP112TW01, HWNMN2SP112CW01, HWNSX1PP112TQ01, HWNSX1PP112TW01, HWNSX1SP112CW01, HWNSX1SP302UW09, HWNSX2PP112TQ01, HWNSX2PP112TW01, HWNSX2SP112CW01, NWNMN1SP542NW22, NWNMN2SP302NW22, NWNSX2SP302NW22, SWNMN1SP302AW01, SWNMN1SP302NW22, SWNMN1SP302SW01, SWNMN2PP112TW01, SWNMN2SP112TW01, SWNMN2SP112TW08, SWNSX1PP112TQ01, SWNSX1PP112TW01, SWNSX1PP302AW01, SWNSX1SP112TQ01, SWNSX1SP112TW01, SWNSX1SP302AW01, SWNSX1SP302BW01, SWNSX1SP302EW09, SWNSX1SP302NW22, SWNSX1SP302SW01, SWNSX1SP302UW01, SWNSX1SP542NW22, SWNSX2PP112TQ01, SWNSX2PP112TW01, SWNSX2PP112TW02, SWNSX2SP112TQ01, SWNSX2SP112TW01 and UWNMN2SP112CW01



TLW1733P\_202731

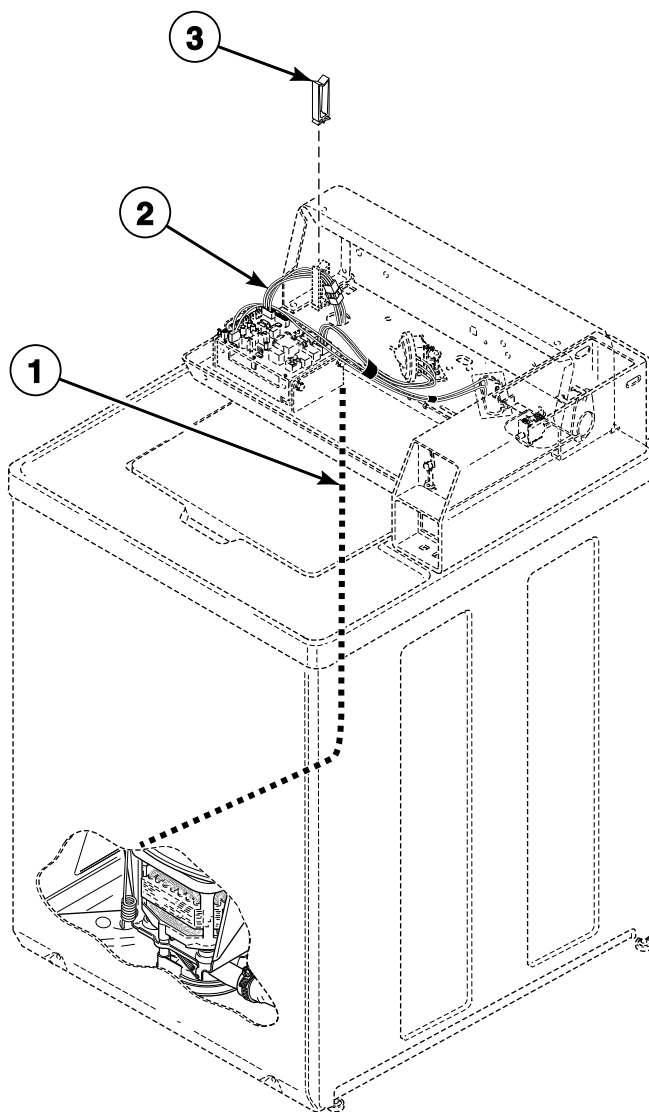
## Wire Harnesses and Wires (Drawing 1 of 2)

REF	PART NO.	DESCRIPTION	COMMENTS
	45001	18 Gauge Wire	Black; Order wire by foot and terminals as required
	45380	12 Gauge Wire	Orange; Order wire by foot and terminals as required
1	201466	Base Wire Harness Assembly	Models BWNMN2PP302AW01, GWNMN2PP302AW01, GWNSX2PP302AW01, NWNMN2SP302NW22 and NWNSX2SP302NW22
	201435	Base Wire Harness Assembly	Models GWNMN1PP302AW01, GWNSX1PP302AW01, GWNSX1PP302EW09, HWNSX1SP302UW09, SWNMN1SP302AW01, SWNMN1SP302SW01, SWNSX1PP302AW01, SWNSX1SP302AW01, SWNSX1SP302BW01, SWNSX1SP302EW09, SWNSX1SP302SW01 and SWNSX1SP302UW01
	38772P	Base Wire Harness Assembly	Models NWNMN1SP542NW22 and SWNSX1SP542NW22
	38661P	Wire Harness Assembly	Base; All other models
	201766	Hood Harness	Models GWNSX1PP302EW09, HWNSX1SP302UW09 and SWNSX1SP302EW09
2	201729	Hood Harness	Models BWNMN2PP302AW01, GWNMN1PP302AW01, GWNMN2PP302AW01, GWNSX1PP302AW01, GWNSX2PP302AW01, NWNMN1SP542NW22, NWNMN2SP302NW22, NWNSX2SP302NW22, SWNMN1SP302AW01, SWNMN1SP302NW22, SWNMN1SP302SW01, SWNSX1PP302AW01, SWNSX1SP302AW01, SWNSX1SP302BW01, SWNSX1SP302NW22, SWNSX1SP302SW01, SWNSX1SP302UW01 and SWNSX1SP542NW22
	201688	Hood Harness	All other models
3	36274	Wire Clip	

**NOTE: Individual wires are not available separately. Order complete harness, or order wire by the foot. When applying terminals to wires, it is recommended that the terminals be soldered to the wires.**

## Wire Harnesses and Wires (Drawing 2 of 2)

Models BWNBC2PP112TW01, BWNBX2PP112TW01, BWNBX2PP302AW01, BWNBY2PP112TW01, HWNBC2PP112TQ01, HWNBC2PP112TW01, HWNBD2SP112CQ01, HWNBD2SP112CW01, HWNBE2SP112CW01, HWNBX1SP122DW01, HWNBX1SP542DW01, HWNBX2SP112CW01, HWNBX2SP112FW28, HWNBY2PP112TW01, HWNBY2SP112CW01, HWNLE2AP112CW01, HWNLE2HP112CW01, HWNLE2SP112CW01, HWNLX1SP122DW01, HWNLX1SP542DW01, HWNLX2HP112CW01, HWNLX2SP112CW01, HWNLY2HP112CW01, HWNLY2SP112CW01, NWNBX2SP302NW22, SWNBC2PP112TQ01, SWNBC2PP112TW01, SWNBC2PP112TW02, SWNBC2SP112TQ01, SWNBC2SP112TW01, SWNBX1SP122DW01, SWNBX1SP542DW01, SWNBX2PP112TW02, SWNBX2SP082JW01, SWNBX2SP112FW27, SWNBX2SP112TQ01, SWNBX2SP112TW01, SWNBX2SP302AW01, SWNBX2SP302NQ22, SWNBX2SP302NW22, SWNBY2PP112TW01, SWNBY2SP112TW01, SWNLC2AP112TW01, SWNLC2AP112TW02, SWNLC2HP112TW01, SWNLC2HP112TW02, SWNLC2PP112TW01, SWNLC2PP112TW02, SWNLC2SP112TQ01, SWNLC2SP112TW01, SWNLC2SP112TW02, SWNLX1SP122DW01, SWNLX1SP542DW01, SWNLX1SP542NW23, SWNLX2AP112TW02, SWNLX2HP112TW01, SWNLX2HP112TW02, SWNLX2PP112TW02, SWNLX2SP112TW01, SWNLX2SP112TW02, SWNLX2SP302AW01, SWNLY2AP112TW01, SWNLY2HP112TW01, SWNLY2PP112TW01, SWNLY2SP112TW01 and SWNLY2SP302NW22



TLW1734P\_202731

## Wire Harnesses and Wires (Drawing 2 of 2)

REF	PART NO.	DESCRIPTION	COMMENTS
	45001	18 Gauge Wire	Black; Order wire by foot and terminals as required
	45380	12 Gauge Wire	Orange; Order wire by foot and terminals as required
1	201466	Base Wire Harness Assembly	Models BWNBX2PP302AW01, NWNBX2SP302NW22, SWNBX2SP302AW01, SWNBX2SP302NQ22, SWNBX2SP302NW22, SWNLX2SP302AW01 and SWNLY2SP302NW22
	202721	Wire Harness Assembly	Base; Models HWNBX1SP542DW01, HWNLX1SP542DW01, SWNBX1SP542DW01, SWNLX1SP542DW01 and SWNLX1SP542NW23
	202838	Wire Harness Assembly	Base; Models HWNBX1SP122DW01, HWNLX1SP122DW01, SWNBX1SP122DW01 and SWNLX1SP122DW01
	38661P	Wire Harness Assembly	Base; All other models
2	210178P	Harness Assembly	Hood; Models BWNBX2PP302AW01, HWNBX1SP542DW01, HWNLX1SP542DW01, NWNBX2SP302NW22, SWNBX1SP542DW01, SWNBX2SP302AW01, SWNBX2SP302NQ22, SWNBX2SP302NW22 and SWNLX1SP542DW01
	202671	Wire Harness Assembly	Hood; Models HWNLX1SP542DW01, SWNLX1SP542DW01, SWNLX1SP542NW23, SWNLX2SP302AW01 and SWNLY2SP302NW22
	202667	Wire Harness Assembly	Hood; Models HWNLE2SP112CW01, HWNLX1SP122DW01, HWNLX2SP112CW01, HWNLY2SP112CW01, SWNLC2PP112TW01, SWNLC2PP112TW02, SWNLC2SP112TQ01, SWNLC2SP112TW01, SWNLC2SP112TW02, SWNLX1SP122DW01, SWNLX2PP112TW02, SWNLX2SP112TW01, SWNLX2SP112TW02, SWNLY2PP112TW01 and SWNLY2SP112TW01
	202375	Wire Harness Assembly	Hood; Models HWNLE2AP112CW01, HWNLE2HP112CW01, HWNLX2HP112CW01, HWNLY2HP112CW01, SWNLC2AP112TW01, SWNLC2AP112TW02, SWNLC2HP112TW01, SWNLC2HP112TW02, SWNLX2AP112TW02, SWNLX2HP112TW01, SWNLX2HP112TW02, SWNLY2AP112TW01 and SWNLY2HP112TW01
	202229P	Wire Harness Assembly	Hood; All other models
3	36274	Wire Clip	

**NOTE: Individual wires are not available separately. Order complete harness, or order wire by the foot. When applying terminals to wires, it is recommended that the terminals be soldered to the wires.**





# Parts Index

## A

Adjustable Leg Extension Kit 566P3 .....	63
Agitate and Spin Belt 200923 .....	45, 47, 49, 51
38174 .....	49, 51
Agitator 33174 .....	53
Agitator Cap 36515 .....	53
Agitator Drive Bell Puller 294P4 .....	71
Agitator Hook 254P4P .....	73
Agitator Pinion 27003 .....	57
Anti-Seize Compound 27604P .....	57

## B

Balance Ring Assembly 39837 .....	53
Base Assembly 39788 .....	63
Base Wire Harness Assembly 201435 .....	75
201466 .....	75, 77
38772P .....	75
Bell and Transmission Tube Seal 36425 .....	53
Bell Plug 36511 .....	53
Belt and Pump Kit RB150003 .....	49
Bit Holder 24161 .....	73
Bolt 02505 .....	5, 7
294P4B .....	71
29651 .....	5
32184 .....	33, 39
Bracket 201918 .....	33
202083 .....	37
36036 .....	63
36037 .....	63
803662 .....	5
Brake Kit 38505P .....	61
Brake Pad Kit 735P3 .....	61
Bumper M400795 .....	11, 13, 15, 17, 19, 21, 23, 25, 27, 29, 31
21685 .....	35, 39
Bumper Pad 36226 .....	63
56128 .....	63

Bushing 33446 .....	35, 39
------------------------	--------

## C

Cable Connection Box 39922 .....	13, 17, 19, 23, 27
Cable Tie M405829 .....	69
Capacitor 37377 .....	49
Capacitor and Clamp Kit 39259P .....	45, 47, 49
Capacitor Clamp 37535 .....	45, 47, 49
Central Pay Harness 511478 .....	21, 23, 25, 27, 29, 31
Chassis Mounting Bracket 201581 .....	5
Circuit Board Support 501523 .....	19
Clip 201572 .....	9
Coin Box Extension Kit 803578P .....	5, 7
Coin Drop 38963P .....	7
70441601P .....	7
70441603 .....	7
Coin Drop Assembly CK114 .....	7
CK123 .....	7
38462P .....	7
38463 .....	7
38464P .....	7
38467 .....	7
38472 .....	7
38519 .....	7
38521 .....	7
70441602 .....	7
70447301 .....	7
70482401 .....	7
Coin Drop Wire Harness 201104 .....	9
Coin Funnel Kit 523P3 .....	5
Coin Identification Paper 38725 .....	7, 9
Coin Slide Extension Kit 200913 .....	5
Connector F140562 .....	69
21091 .....	69
Control Assembly 202391P .....	25, 27, 31
202392P .....	21, 23, 29
202393P .....	5, 11, 13
202820P .....	25, 31
Control Hood 210142W .....	11, 13, 29, 31
37075Q .....	15, 17, 21, 25

N/A items do not appear in index.

37075W.....	15, 17, 19, 21, 23, 25, 27
Control Lid Lock Assembly 37225P.....	19
Control Overlay	
201667.....	15, 17
201668.....	15
201673.....	19
201674.....	15
201675.....	15
201718.....	11
201744.....	11, 13
201762.....	11
201935.....	15, 17
201936.....	11, 13
201937.....	17
201938.....	13
202012.....	11, 13
202022.....	19
202129.....	11
202130.....	17
202134.....	11
202362.....	11
202408.....	19
202415.....	31
202416.....	21
202417.....	23, 25
202418.....	31
Control Panel and Bracket Assembly	
36521QP.....	15, 17
36521WP.....	15, 17, 19
Control Panel Assembly	
201742W.....	11, 13
210042Q.....	21, 25
210042W.....	21, 23, 25, 27
210137W.....	29, 31
Control Panel Bumper	
202469.....	25, 27, 31
32648.....	11, 13, 15, 17, 19, 21, 23, 29
Control Panel Overlay	
201003.....	29
201007.....	29
202416.....	21, 23, 25, 27
Control Shield	
210053.....	21, 23, 25, 27, 29, 31
512304.....	5
Control Sticker Overlay	
202309.....	25, 31
Counterweight Assembly	
38769.....	55
Cover Plate	
37828P.....	39
Cycle Selector Switch	
201686.....	11, 13, 15, 17, 19

## D

Diagnostic Wire Harness Assembly	
800680.....	29, 31
Disconnect Power Warning Label	
505281.....	11, 13, 29, 31, 35
Door Lock Spacer	
201414.....	39
Drain Extension Kit	
451P3.....	59

Drain Hose	
28293.....	59
Drain Hose Elbow	
35766.....	59
36990.....	59
Drive Bell and Seal Kit	
39508P.....	53
Drive Bell Seal Tool	
293P4.....	73
Drive Pinion	
37405.....	57
Dual Overlay	
39073.....	7

## E

Electrical Shock Label	
F8211201.....	19, 35
Electronic Coin Drop Assembly	
70294103P.....	9
70294104.....	9
70294105P.....	9
70294106.....	9
70294107.....	9
70294109.....	9
70294110.....	9
70294111.....	9
70294120.....	9
70294121.....	9
Electronic Coin Drop Kit	
CK099.....	9
CK100.....	9
CK101.....	9
CK103.....	9
CK106.....	9
CK108.....	9
CK109.....	9
CK110.....	9
CK113.....	9
CK115.....	9
CK120.....	9
CK121.....	9
End Cap	
210108W.....	11, 13, 29, 31
210109W.....	11, 13, 29, 31
Ethernet Gateway Kit	
NK320.....	25, 27, 31

## F

Female Flag Terminal	
00120.....	69
Female Pin Terminal	
00117.....	69
Female Spade Terminal	
00112.....	69
00121.....	65
00223.....	69
Female Terminal	
00188.....	65, 69
Fill Hose	
202799.....	43
202800.....	43

N/A items do not appear in index.

20617 .....	43
20618 .....	43
37380 .....	43
37381 .....	43
Fill Hose Kit	
38349P .....	43
Flex Vane Agitator	
36507 .....	53
Friction Ring	
37937 .....	63
Front Panel	
38335QP .....	63
38335WP .....	63
Front Panel Brace	
35097 .....	63

## G

Gasket	
70392701P .....	13
Gear and Stud Assembly	
26577 .....	57
Gear Sleeve	
38864 .....	57
Graphic Overlay	
201999 .....	15
Grease	
36765P .....	53
Grommet	
29175 .....	55
80262 .....	37, 39
Grounding Clip	
00161 .....	69

## H

Harness Assembly	
210178P .....	77
802904P .....	7
802905 .....	7, 9
Harness Strap	
55881 .....	69
Helix	
38008 .....	61
Hex Wrench Tool	
306P4 .....	73
Hinge Gasket	
34338 .....	35, 39
Hold-Down Clip	
35865 .....	63
Hold-Down Lug Hinge	
27103 .....	63
Hood Back Panel	
38267 .....	15, 17, 21, 25
39920 .....	17, 19, 23, 27
Hood Harness	
201688 .....	75
201729 .....	75
201766 .....	75
Hose Clamp	
F200204 .....	59
20211 .....	59

20391 .....	59
36801 .....	43
39282 .....	55
800803 .....	43
Hose Clip	
36985 .....	55
Hose Coupler	
25863 .....	59
Hose Retainer Clip	
39177 .....	59
Housing, 24 Position	
32746 .....	69
34123 .....	69
Hub and Lip Seal Kit	
766P3A .....	53, 55
Hub Spacer	
201212 .....	57

## I

Idler Lever	
38011 .....	45, 47, 49, 51
Idler Lever and Belt Kit	
202972 .....	45, 47, 51
Idler Lever Kit	
959P3 .....	49
Idler Lever Spring	
201189 .....	45, 47, 49, 51
202032 .....	45, 47, 49, 51
Idler Pulley	
38225P .....	45, 47, 49, 51
Idler Shaft	
210186 .....	45, 47, 49, 51
Input Shaft	
38268P .....	57
Insulated Female Spade Terminal	
00359 .....	69
Insulator	
70210 .....	69
Isolator Post	
38325 .....	45, 47, 49

## J

Jumper Configuration Assembly	
M413507 .....	21, 23, 25, 27, 31

## L

Lead-In Cord	
201439 .....	67
34458 .....	67
38362P .....	67
38363 .....	67
39926 .....	17, 19, 67
Lead-In Cord Assembly	
804556 .....	23, 67
Lead-In Wire Harness Assembly	
201405P .....	19, 23, 27
39923 .....	13, 17, 23

N/A items do not appear in index.

Leg and Stabilizer Assembly 34443 .....	63
Leg Plate 27926 .....	55
Leg Spring 201521 .....	55
37575 .....	55
37576 .....	55
Leveling Leg 34319 .....	63
Lid 200891W .....	35
200892WP .....	39
201461Q .....	35
201760QP .....	35
201760WP .....	35
201761WP .....	35
Lid and Carton Assembly 201460QP .....	35
Lid Hinge 36437 .....	35, 39
36438 .....	35, 39
Lid Lock 202434 .....	39
Lid Lock Catch Assembly 201307P .....	39
Lid Lock Gasket 30378 .....	39
Lid Lock Kit 837P3 .....	39
Lid Lock Wire Harness Assembly 31973 .....	39
Lid Plug 34153 .....	35
Lid Switch Assembly 37631 .....	41
Lid Switch Indicator Light 39536 .....	19
Lid Switch Shield 202697 .....	41
Light 801431 .....	11, 13, 15, 17, 19
Lower Bearing 28944RP .....	61

## M

Male Pin Terminal 00116 .....	69
Male Tab Terminal 00177 .....	11, 13, 47
Mechanical Counter Kit Assembly 201280P .....	5
Meter Case Assembly 38724Q .....	7
38724W .....	7
802505W .....	7
Meter Case Assembly Kit 803063WP .....	7
803575WP .....	5
Meter Case Bracket Gasket 35526 .....	5, 7

Meter Case Gasket 26354 .....	5, 7
Meter Case Kit 201010QP .....	5
201010WP .....	5
Meter Case Lockdown Bracket 35525 .....	5, 7
Meter Case Locking Bracket 30642 .....	5, 7
Meter Case Mounting Bracket Assembly 35867 .....	63
Mixing Valve 202395P .....	43
202396 .....	43
Mixing Valve Plug 34675 .....	65
34676 .....	65
Mixing Valve Screen 24122 .....	43
Mixing Valve-to-Tub Cover Hose 202472 .....	43
Motor Assembly 202457 .....	49
35030P .....	49
Motor Kit 201433P .....	47, 49
38034P .....	49
38035P .....	49
835P3 .....	45, 47, 49
Motor Mount 38395 .....	45, 47, 49
38396 .....	45, 47, 49
Motor Mount Bracket 200941 .....	45, 47, 49
Motor Shield 34754 .....	45, 47, 49
Motor Side Shield 36965 .....	45
Mounting Tool Kit CK096 .....	71

## N

Network Controller Kit NK220 .....	25, 27, 31
Network Retrofit Kit NK201 .....	25, 27, 31
Nut M400981 .....	41
03673 .....	67
201216 .....	9
21899 .....	63
22001 .....	39
23951 .....	33
24205 .....	11, 13, 15, 17, 19
27222 .....	37, 39
28803 .....	45, 47, 49, 51
29220 .....	53
29786 .....	5, 7
29796 .....	5
30647 .....	5, 7, 33
35423 .....	49
36020 .....	37, 39
52566 .....	15, 17, 19, 21, 23, 25, 27, 45, 47, 49

N/A items do not appear in index.

52947 .....	19
685846 .....	45, 47
802337 .....	5, 7
802343 .....	13

## O

Operation Instruction Label	
37068 .....	5, 7
Options Label	
202828 .....	25
202829 .....	25, 27, 31
Opto Coupler	
200674P .....	7
Outer Tub Assembly	
200510P .....	55
200511P .....	55
Output Shaft	
36570P .....	57
Overlay	
200918 .....	21, 23
200919 .....	21, 23
201091 .....	9
202098 .....	21, 23
202174 .....	21
202310 .....	21, 29
202832 .....	29
Overlay Kit	
38676 .....	7

## P

Panel Clip	
M406494 .....	11, 13
Panel Locator	
28102 .....	63
56079 .....	63
Pinched Fingers Label	
F8211301 .....	55
Plug, 1 Circuit	
26302 .....	69
Plug, 10 Circuit	
34677 .....	65
Plug, 6 Circuit	
23041 .....	69
Plug, 9 Circuit	
23033 .....	69
Porcelain Touch-Up Paint	
122P4P .....	63
370P4P .....	63
Power Cord Assembly	
202624 .....	67
39925 .....	19, 67
39931 .....	13, 17, 23, 27, 67
39984 .....	17, 67
Pressure Bulb	
30907 .....	55
Pressure Switch	
202655 .....	11, 13, 15, 17, 19, 21, 23, 29
803637 .....	25, 27, 31
803638P .....	25, 27, 31

Pressure Switch Bracket	
201789 .....	25, 27, 31
Pulley	
202795 .....	61
Pump	
201566P .....	45, 47, 49
Pump Assembly	
201442P .....	45, 47, 49
Pump-to-Drain Elbow Hose	
38273 .....	59
Push-On Clip	
34762 .....	19

## R

Rack	
201664 .....	57
Ratchet Extension Tool	
310P4 .....	71
Rear Panel	
201732 .....	11
201919 .....	33
201951 .....	13
203074 .....	23
210143 .....	29, 31
Receptacle, 1 Circuit	
26301 .....	69
Receptacle, 6 Circuit	
26708 .....	69
Receptacle, 9 Circuit	
26163 .....	69
Reduction Gear	
37404P .....	57
Resistor	
210100 .....	11, 13, 17, 19, 21, 23, 25, 27, 31
Retaining Ring	
23748 .....	45, 47, 49, 51
27197 .....	57
Ring Terminal	
00110 .....	69
Rocker Switch	
70455101 .....	11, 13
Rubber Foot	
34318 .....	63

## S

Screw	
M402574 .....	41
02916 .....	15, 17, 19, 21, 23, 25, 27
201415 .....	39
201773 .....	57
202623 .....	39
20267 .....	67
20530 .....	47
23008 .....	37, 39
23222 .....	15, 17, 19, 21, 23, 25, 27
23962 .....	11, 13, 15, 17, 19, 21,
.....	23, 25, 27, 29, 31, 37, 41
27196 .....	63
27202 .....	53
27220 .....	61
27229 .....	45, 47, 49, 51

N/A items do not appear in index.

29273	57
32814	57
33562	43
34337	35, 39
35148	63
35369	45, 47, 49, 55
35528	15, 17, 19, 21, 25, 27
36048	5, 7
36639	45, 47, 49
39397	43
39432	53
39566	55
39733	63
39739	61
431287	37, 39, 63
500226	15, 17, 19
501086	11, 13, 15, 17, 21, 23, 25, 27, 29, 31
501524	5, 11, 13, 21, 23, 25, 27, 29, 31, 63
503661	11, 13, 15, 17, 19, 21, 23, 25, 27, 29, 31
503673	5, 7, 35, 39
503688	5, 33
52864	11, 13, 21, 23, 25, 27, 29, 31
52909	35, 39, 45, 47, 49, 59, 63
685837	13
Sealant	
200996P	53, 55
Security Kit	
904P3	33
Service Cabinet Kit	
38612QP	63
38612WP	63
Service Door Assembly	
39874QP	5, 7
39874WP	5, 7
Shield	
202899	43
Shipping Brace	
200552	71
Shipping Plug	
38149	71
Shock Warning Label	
511021	13, 17, 27
Silicone Grease	
26594P	61
Single Overlay	
38717	7
Siphon Break Kit	
562P3	59
Slide	
26493	57
Splash Shield	
202695P	55
Spline Insert	
29728	53
Spring Clip	
210202	45, 47, 49
Spring Hook Tool	
321P4	73
Strain Relief	
38384	37
Support Barrel	
56534	37, 39
Switch	
27761	11, 13, 15, 17
33445	41

37830	41
431159	5
512973	7
Switch Assembly	
39256	41
55882	19
Switch Knob	
39897	11, 13, 15, 17, 19
Switch Mounting Plate	
29676	39

---

## T

Terminal Extractor Tool	
283P4	65
Tool Kit	
725P3	73
Top	
39167QP	37
39167WP	37
Top Assembly	
210173WP	37
39184WP	39
39339W	37
Top Shield	
202932	37
39744	37, 39
Torx Bit	
281P4	73
282P4	73
Transformer	
201375P	9, 21, 23, 25, 29, 31
201587P	11, 15
201616P	11, 13, 17, 19
210018P	21, 25, 29
803527P	21, 23, 25, 27, 31
Transmission Assembly	
38165P	57
Transmission Case Assembly	
33223P	57
Transmission Cover Assembly	
37471	57
Transmission Oil	
27243P	57
Transmission Pin Tool	
305P4	71
Transmission Rebuild Kit	
RB150004	57
Transmission Sealant	
37577P	57
Tub Assembly	
39252P	53
39387P	53
Tub Cover Assembly	
202461	55
Tub Cover Gasket	
38359	55
Tub Cover Removal Tool	
273P4	73
Tub Kit	
39250P	53
Tube	
202333	47

N/A items do not appear in index.

Tubing	
202699 .....	55
202700 .....	55
Tub-to-Pump Hose	
38351 .....	59

Wire, 12 Gauge	
45380 .....	75, 77
Wire, 18 Gauge	
45001 .....	75, 77

## U

USB Gateway Kit	
NK330 .....	25, 27, 31

## W

Warning Label	
500049 .....	55
500314 .....	55
500316 .....	29, 31, 35
Washer	
F430339 .....	19
M400017 .....	15, 17, 19, 21, 23, 25, 27
02431 .....	15, 17, 19, 21, 23, 25, 27
200608 .....	21, 23, 25, 27, 29, 31
20290 .....	43
21735 .....	67
25100 .....	33
26509 .....	57, 61
27015 .....	61
28094 .....	53
29260 .....	57
35092 .....	57
35535 .....	61
37772 .....	45, 47, 49
39249 .....	37, 39, 55
504082 .....	45, 47, 49, 51
52549 .....	45, 47, 49, 51
802254 .....	43
803615 .....	43
81392 .....	45, 47, 49, 51
91176 .....	11, 13, 15, 17, 19
Washtub Gasket	
39122 .....	53
Washtub Kit	
719P3 .....	53
Water Hose	
F200116 .....	43
Weldment and Bearing Assembly	
39253 .....	61
39254 .....	61
Wire Clip	
36274 .....	69, 75, 77
504034 .....	69
51291 .....	69
Wire Guard	
201595P .....	7
Wire Harness Assembly	
202229P .....	77
202375 .....	77
202667 .....	77
202671 .....	77
202721 .....	77
202838 .....	77
38661P .....	75, 77
Wireless Network Kit	
NK301 .....	25, 27, 31

N/A items do not appear in index.

